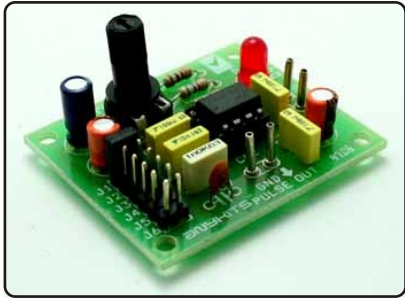


Pulse Generator

Author Rajkumar Sharma

BUILD SMARTER
e-circuits



ANYKITS™ electronics DIY kits

sales@anykits.com



www.anykits.com

Pulse Generator

Author Rajkumar Sharma

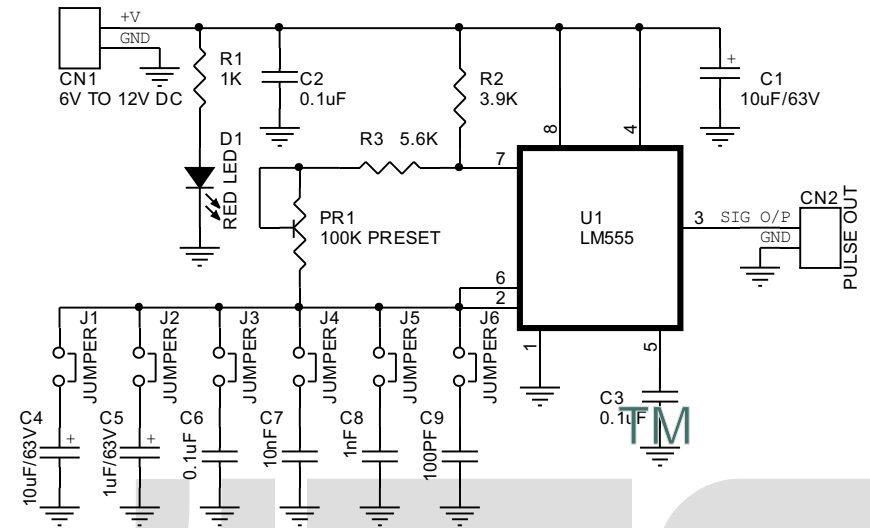
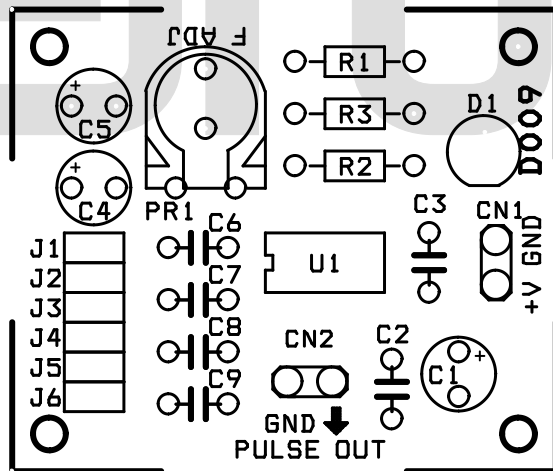
BUILD SMARTER
e-circuits



This Kit can generate the frequency 1Hz to 180 KHz rectangular waves. Good test gear project based on popular LM555 timer IC. Supply 12V DC current consumption 40mA. PCB dimensions 40X47MM.

- J1 1 to 10Hz
- J2 10 to 100 Hz
- J3 80 to 1kHz
- J4 700Hz to 10Khz
- J5 7Khz to 55Khz
- J6 63Khz to 180Khz

- CN1 Supply 6V-12V DC
- CN2 Pulse Out
- PR1 Frequency Adjust.



SR.	QTY.	REF.	DESCRIPTION
1	1	CN1	2 PBC PINS
2	1	CN2	2 PBC PINS
3	2	C1,C4	10uF/63V
4	3	C2,C3,C6	0.1uF
5	1	C5	1uF/63V
6	1	C7	10nF
7	1	C8	1nF
8	1	C9	100pF
9	1	D1	RED LED
10	6	J1,J2,J3,J4,J5,J6	JUMPER
11	1	PR1	100K PRESET
12	1	R1	1K
13	1	R2	3.9K
14	1	R3	5.6K
15	1	U1	LM555
16	1	SOCKET	8 PIN DIP IC SOCKET
17	1	JUMPER CLOSER	JC02