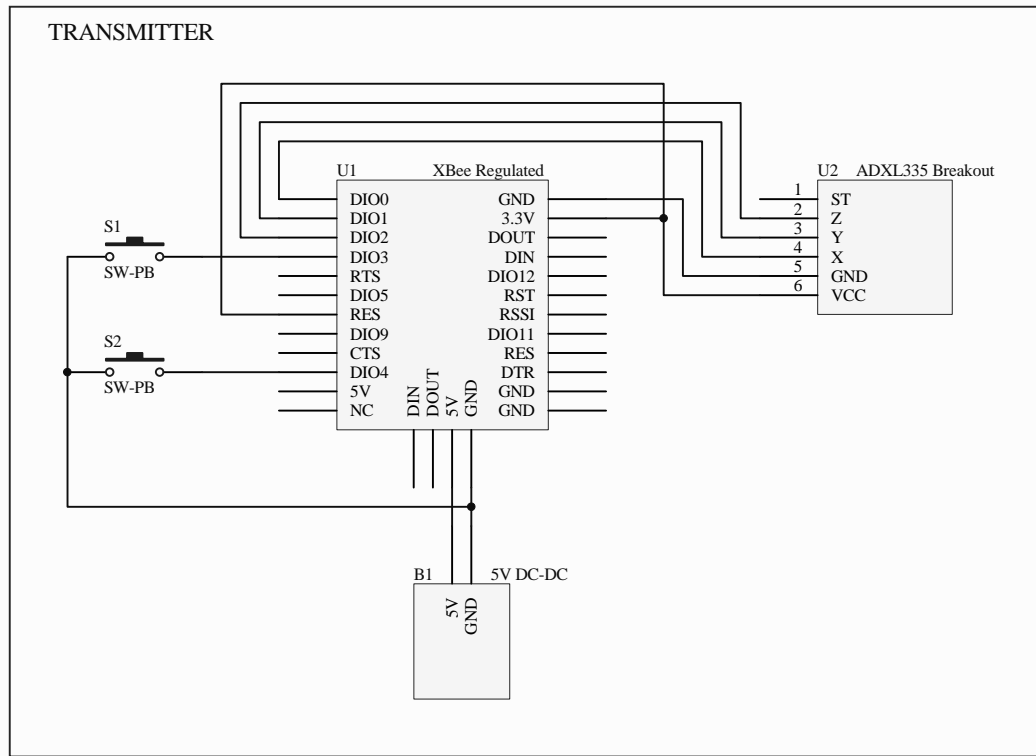
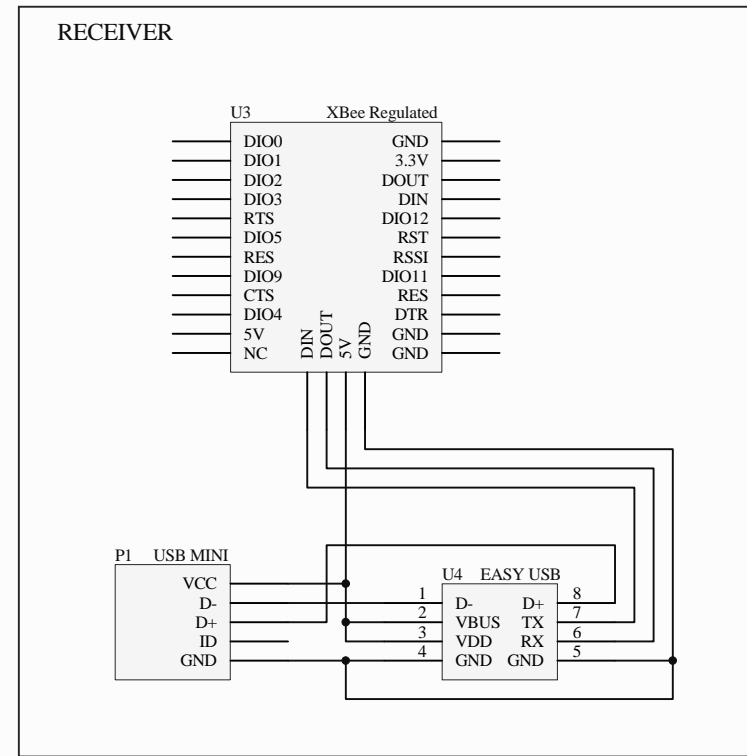


### TRANSMITTER



### RECEIVER



|       |  |          |
|-------|--|----------|
| Title |  |          |
| Size  | Number   | Revision |
| A4    |  |          |
| Date: | 08/03/2011   | Sheet of |
| File: | C:\Users\...\altium_schematic_sheet.SchDoc Drawn By: |          |