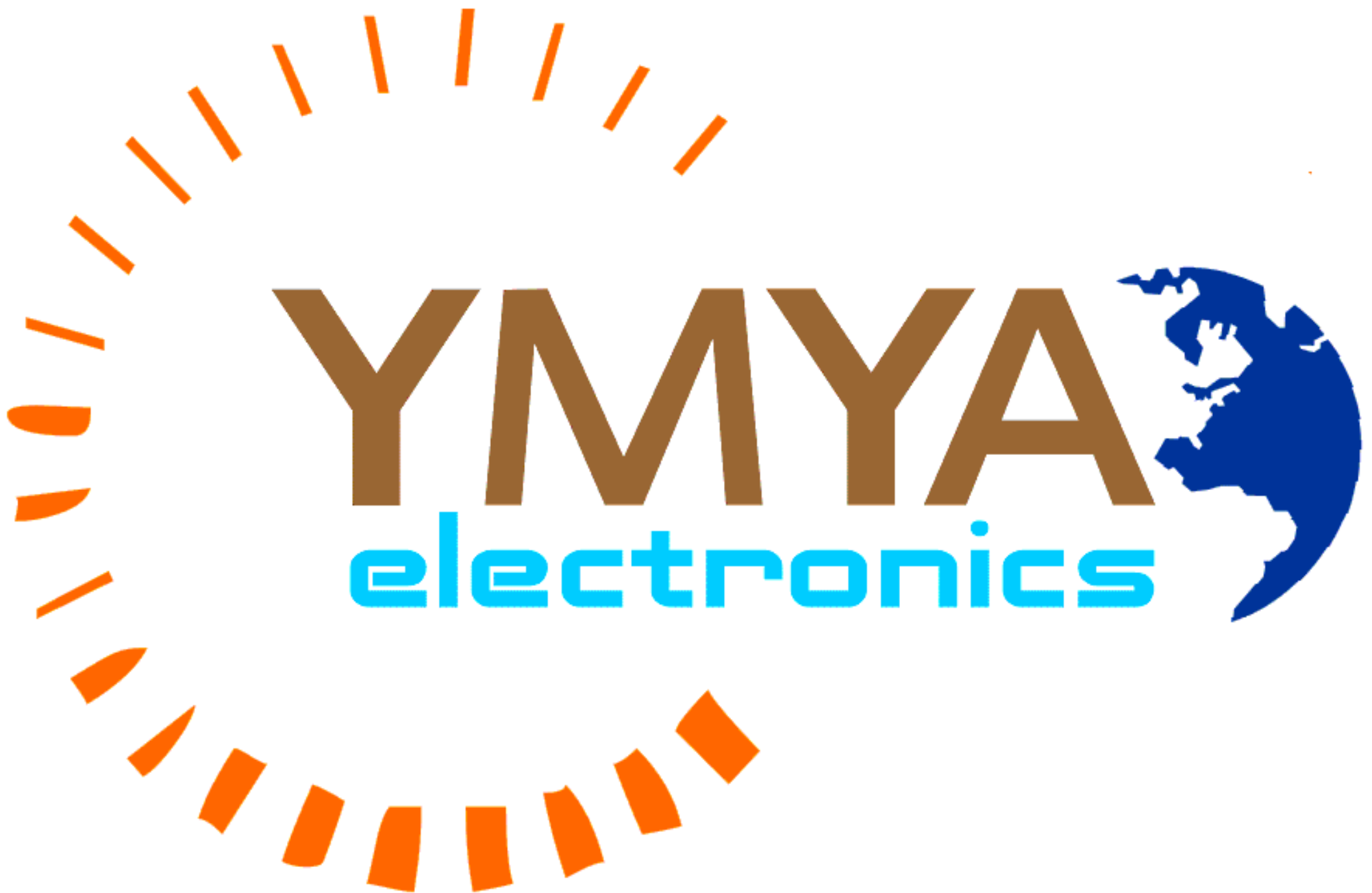


...: 12V RELAY ON 6V POWER SUPPLY ...

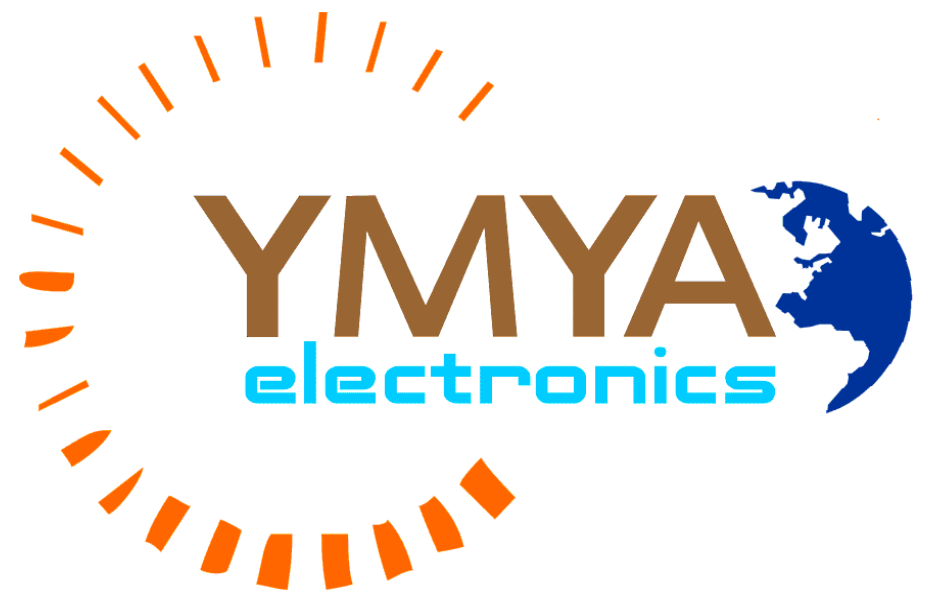
Author : **IZHAR FAREED**



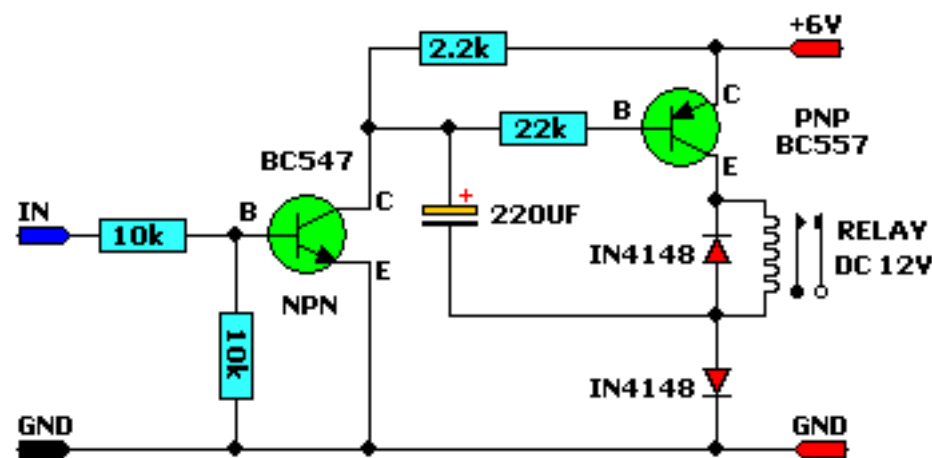
izhar@gmx.com / izhar@gmx.us

...: 12V RELAY ON 6V POWER SUPPLY ...:

Author : *IZHAR FAREED*



...: CIRCUIT DIAGAM ...:



...: DESCRIPTION ...:

This circuit allows a 12v relay to operate on a 6v or 9v supply. Most 12v relays need about 12v to "pull-in" but will "hold" on about 6v. The 220u charges via the 2k2 and bottom diode. When an input above 1.5v is applied to the input of the circuit, both transistors are turned ON and the 5v across the electrolytic causes the negative end of the electro to go below the 0v rail by about 4.5v and this puts about 10v across the relay.