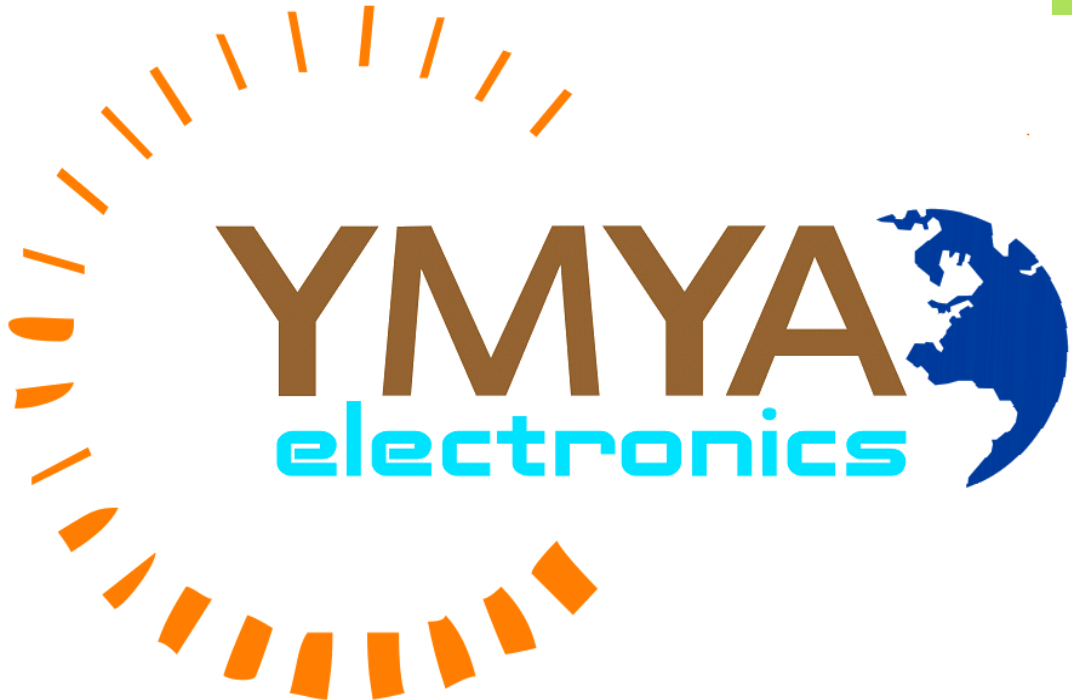


best view @ 75%zoom

# DUAL VOLTAGE POWER SUPPLY

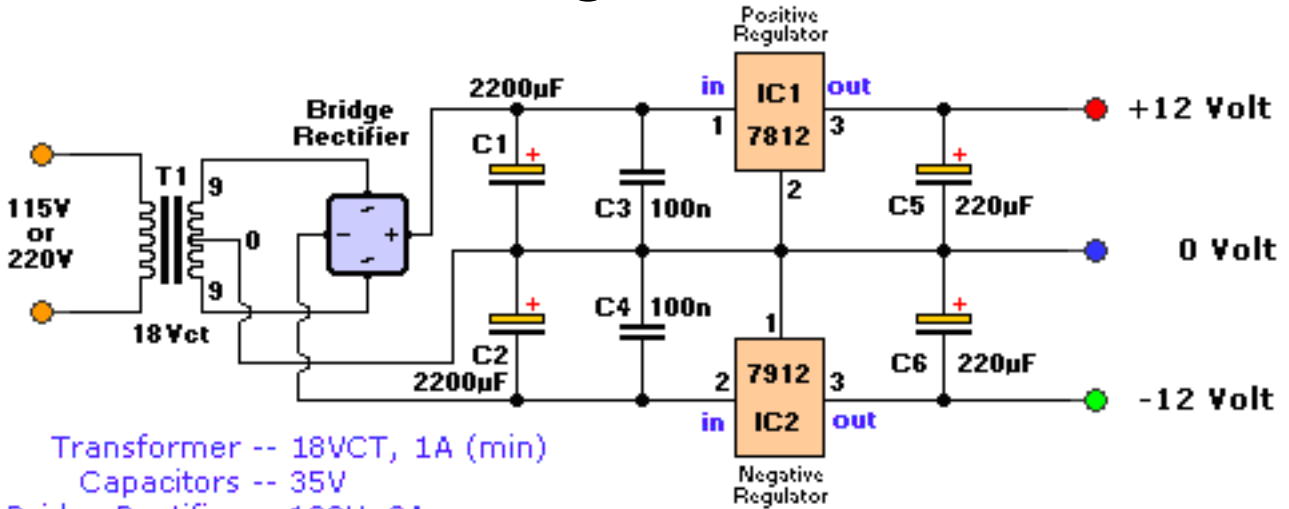
Author : **IZHAR FAREED**



01-August-2008

[izhar@gmx.us](mailto:izhar@gmx.us)

# Circuit Diagram



- Transformer -- 18VCT, 1A (min)
- Capacitors -- 35V
- Bridge Rectifier -- 100V, 2A
- C3,C4 -- Ceramic, 50V

**Caution: Input/Ground are reversed between the 7812 and 7912.**

