

TINY AUDIO AMPLIFIER

author Rajkumar Sharma

BUILD SMARTER
e-circuits



ANYKITS™

electronics diy kits

sales@anykits.com

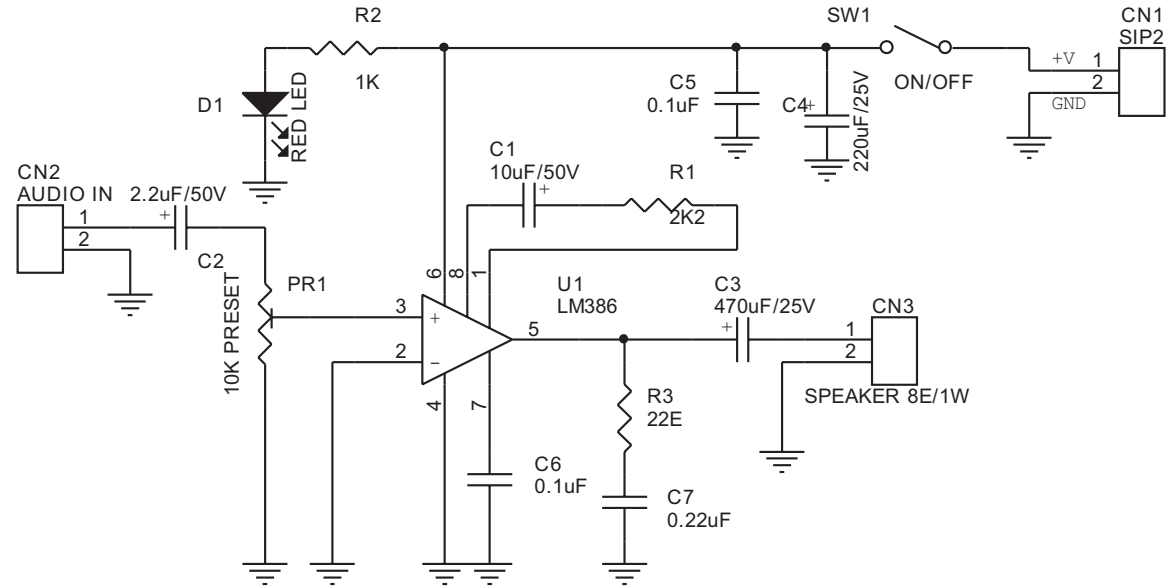
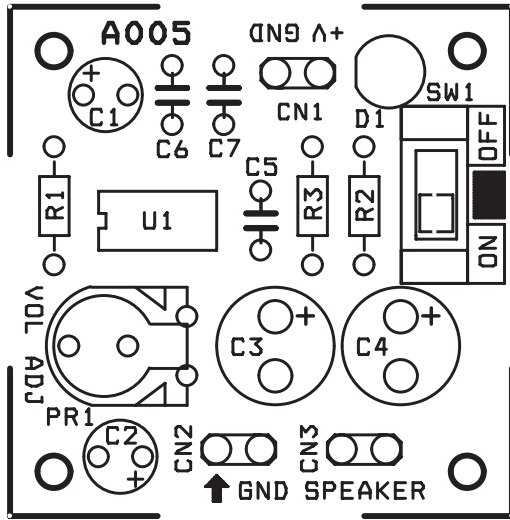
|

www.anykits.com

TINY AUDIO AMPLIFIER

author Rajkumar Sharma

BUILD SMARTER
e-circuits



SR.	QNY.	REF.	DISC.
1	1	CN1	2PCB PINS
2	1	CN2	2PCB PINS
3	1	CN3	2PCB PINS
4	1	C1	10uF/50V
5	1	C2	2.2uF/50V
6	1	C3	470uF/25V
7	1	C4	220uF/25V
8	2	C5,C6	0.1uF
9	1	C7	0.22uF
10	1	D1	RED LED
11	1	PR1	10K PRESET
12	1	R1	2K2
13	1	R2	1K
14	1	R3	22E
15	1	SW1	SLIDE SWITCH
16	1	U1	LM386

Audio amplifier kit is build around Lm386

- CN2 Audio in
- CN3 Speaker
- CN1 Supply in
- PR1 Audio level Volume control
- D1 Power LED