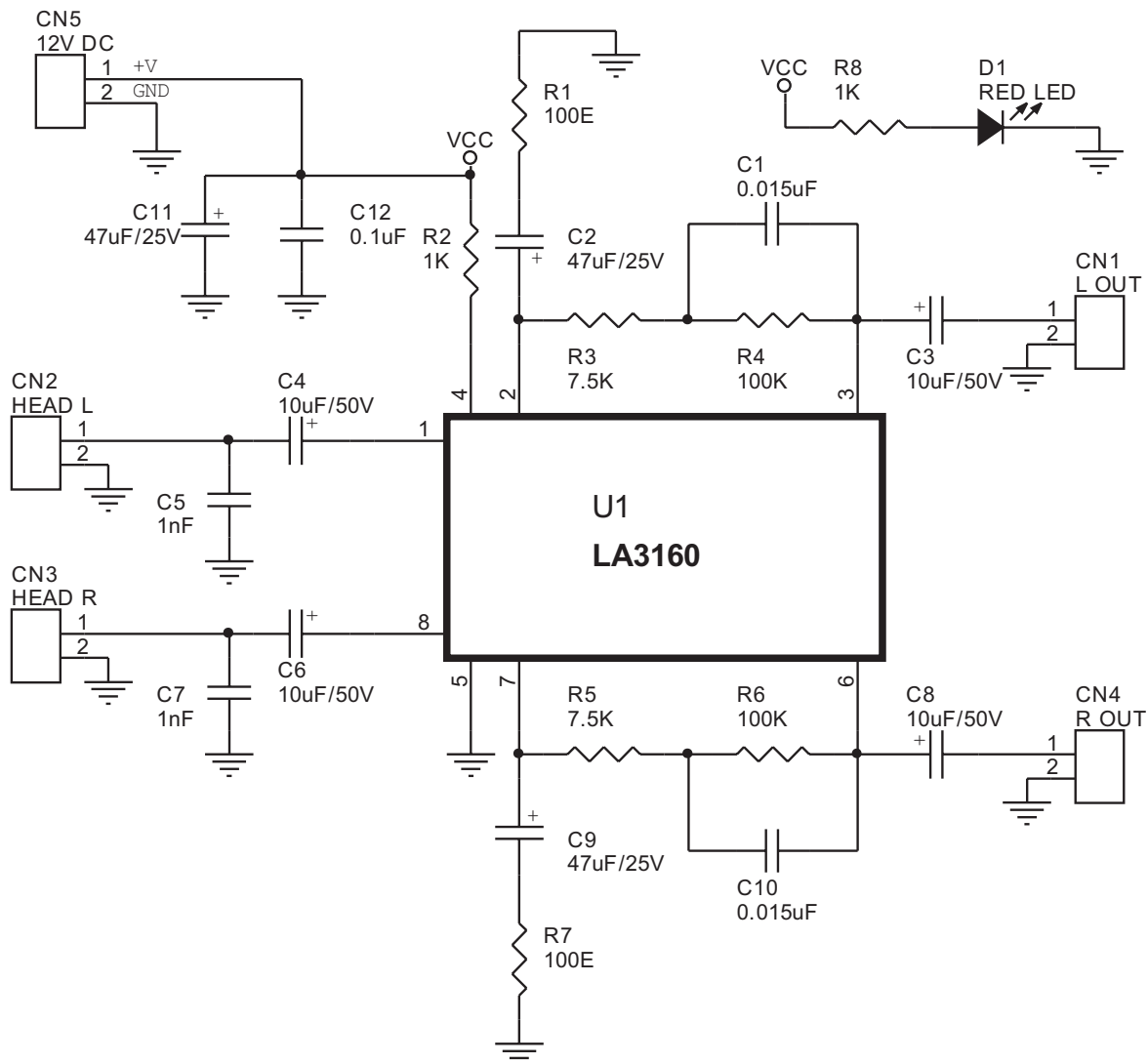
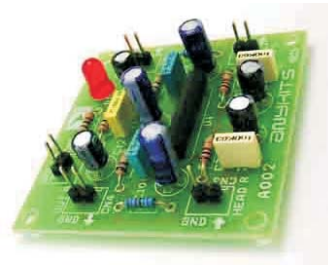


## STEREO TAPE HEAD PREAMPLIFIER

The Stereo Tape Head Preamp kit is based on LA3161 IC from SANYO.

- Power supply - 9 ~ 12 VDC @ 20 mA
- Output power - upto 300mV
- Input Resistance - 100 K $\Omega$  (Typ), Load Resistance - 10 K $\Omega$  (Typ)
- Low noise, good ripple rejection owing to the on-chip voltage regulator
- Power-On LED indicator



# BUILD SMARTER

## e-circuits

SR.	QTY.	REF.	DESCRIPTION
1	1	CN1	2 PIN BERG CONNECTOR
2	1	CN2	2 PIN BERG CONNECTOR
3	1	CN3	2 PIN BERG CONNECTOR
4	1	CN4	2 PIN BERG CONNECTOR
5	1	CN5	2 PIN BERG CONNECTOR
6	2	C1,C10	0.015uF
7	3	C2,C9,C11	47uF/25V
8	4	C3,C4,C6,C8	10uF/50V
9	2	C5,C7	1nF
10	1	C12	0.1uF
11	1	D1	RED LED
12	2	R1,R7	100E
13	2	R2,R8	1K
14	2	R3,R5	7.5K
15	2	R4,R6	100K
16	1	U1	LA3160

