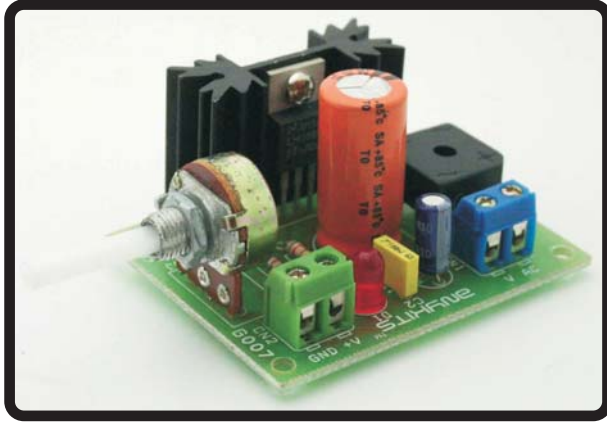


1.2V-15V ADJUSTABLE POWER SUPPLY

Author [Rajkumar Sharma](#)

BUILD SMARTER
e-circuits



anyKITS™
electronics DIY kits

sales@anykits.com

|

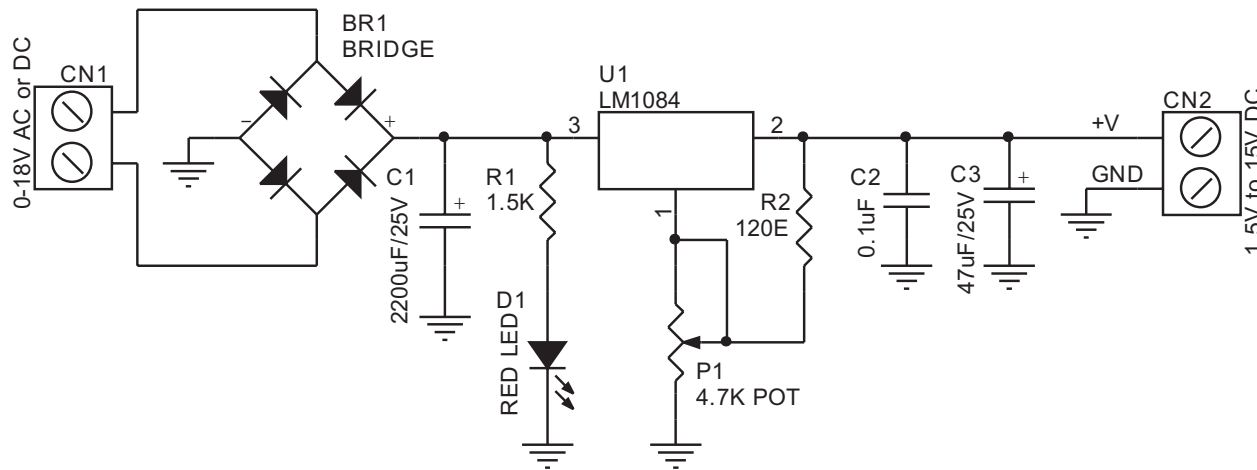
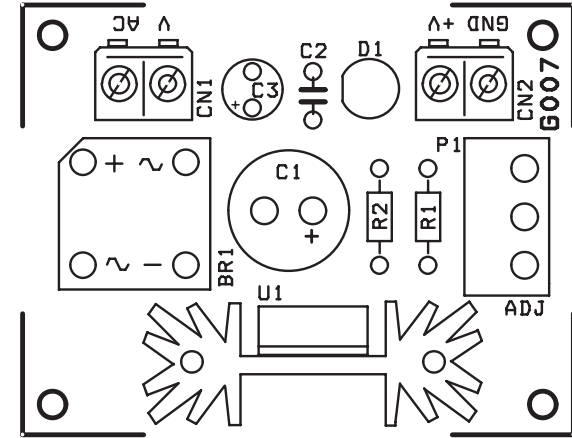
www.anykits.com

1.2V-15V ADJUSTABLE POWER SUPPLY

This kit provides a variable output power supply ranging from 1.2 to 15 V @ 3 A. It uses Low Dropout Positive Regulator LM1084 in TO220 package for delivering variable output voltage.

- Input - 18 VAC/DC
- Output - variable output from 1.2 ~ 15 V @ 3 A Regulated low ripple DC voltage
- Heatsink for regulator IC
- On board bridge rectifier to convert AC to DC
- LED indication at input of IC
- Zener trimmed band gap reference, current limiting and thermal shutdown (provided by IC feature)
- Power Battery Terminal (PBT) for easy input and output connection
- Onboard PCB mounted Potentiometer (POT) for varying the output voltage
- Filter capacitors for low ripple DC output

BUILD SMARTER
e-circuits



SR.	QTY.	REF.	DESCRIPTION
1	1	BR1	BR34
2	1	CN1	2 PIN PBT
3	1	CN2	2 PIN PBT
4	1	C1	2200uF/25V
5	1	C2	0.1uF
6	1	C3	47uF/25V
7	1	D1	RED LED
8	1	P1	4.7K POT
9	1	R1	1.5K
10	1	R2	120E
11	1	U1	LM1084