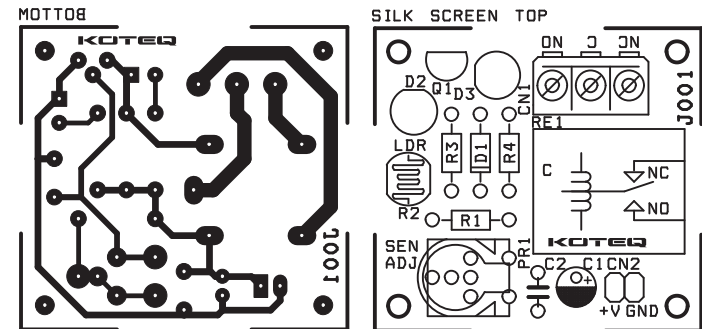
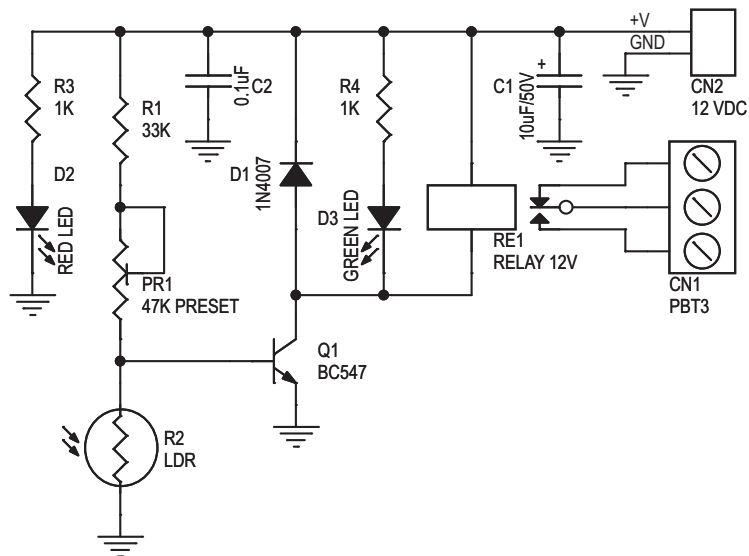


Single Transistor Based Dark Sensitive Switch

Dark Sensitive switch project based on single BC547 transistor, Relay operates when light that falls on the LDR, goes below a set point. It's very simple and low cost dark sensitive switch required few components.

Features

- Input : 12 VDC @ 55 mA
- Relay output : NC - C - NO
- Onboard preset to set the level
- Power-On LED indicator
- Relay On LED indicator
- Screw terminal connector for easy relay output connection
- Four mounting holes of 3.2 mm each
- PCB dimensions 44 mm x 40 mm



CN2 Connector : 12 VDC Supply Input
 CN1 Connector : Relay Out
 D2 : Power Supply LED Indication
 D3 : Relay Status LED Indication

SR.	QTY.	REF.	DESCRIPTION
1	1	CN1	3 PIN SCREW TERMINAL CONNECTOR
2	1	CN2	2 PIN BERG CONNECTOR
3	1	C1	10uF/50V
4	1	C2	0.1uF
5	1	D1	1N4007
6	1	D2	RED LED
7	1	D3	GREEN LED
8	1	PR1	47K/50K PRESET
9	1	Q1	BC547
10	1	RE1	RELAY 12V
11	1	R1	33K
12	1	R2	LDR
13	2	R3,R4	1K

