

# 4 CHANNEL INFRA-RED REMOTE

Author Rajkumar Sharma

**BUILD SMARTER**  
e-circuits



**anyKITS™**  
**electronics DIY kits**

[sales@anykits.com](mailto:sales@anykits.com)

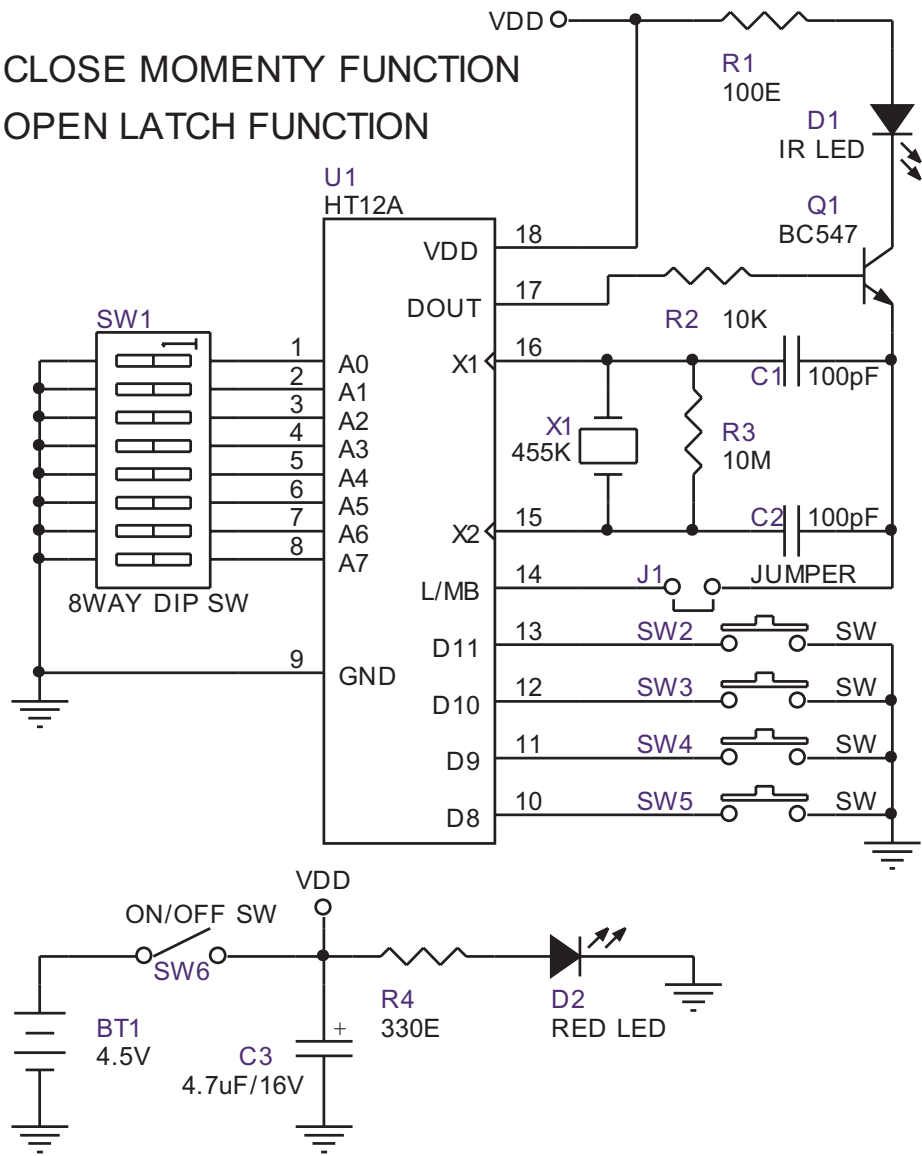
|

[www.anykits.com](http://www.anykits.com)

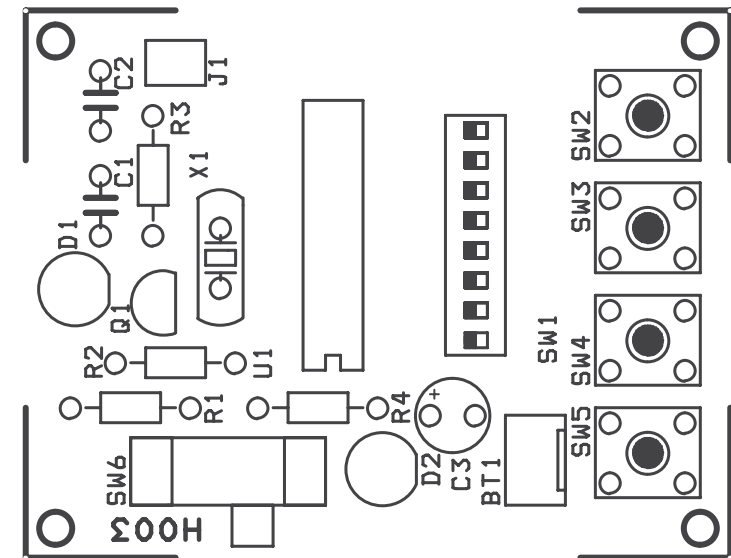
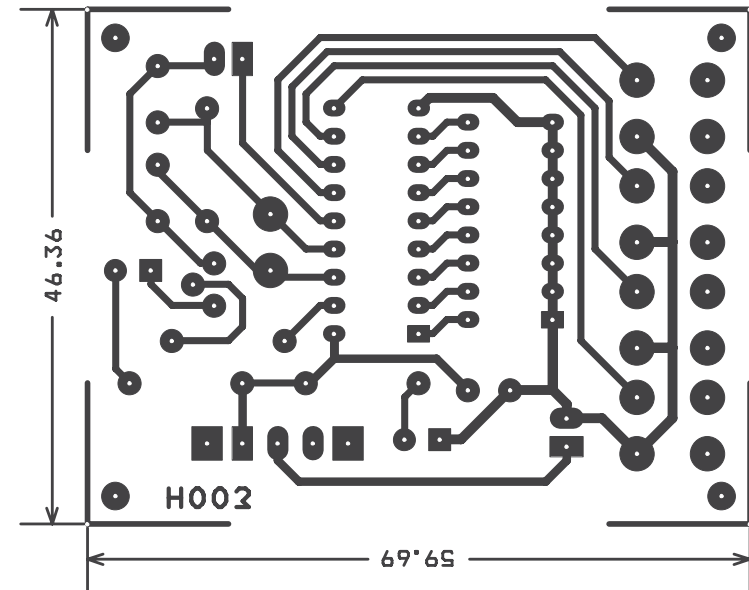
# 4 CHANNEL INFRA-RED REMOTE

J1 CLOSE MOMENTY FUNCTION

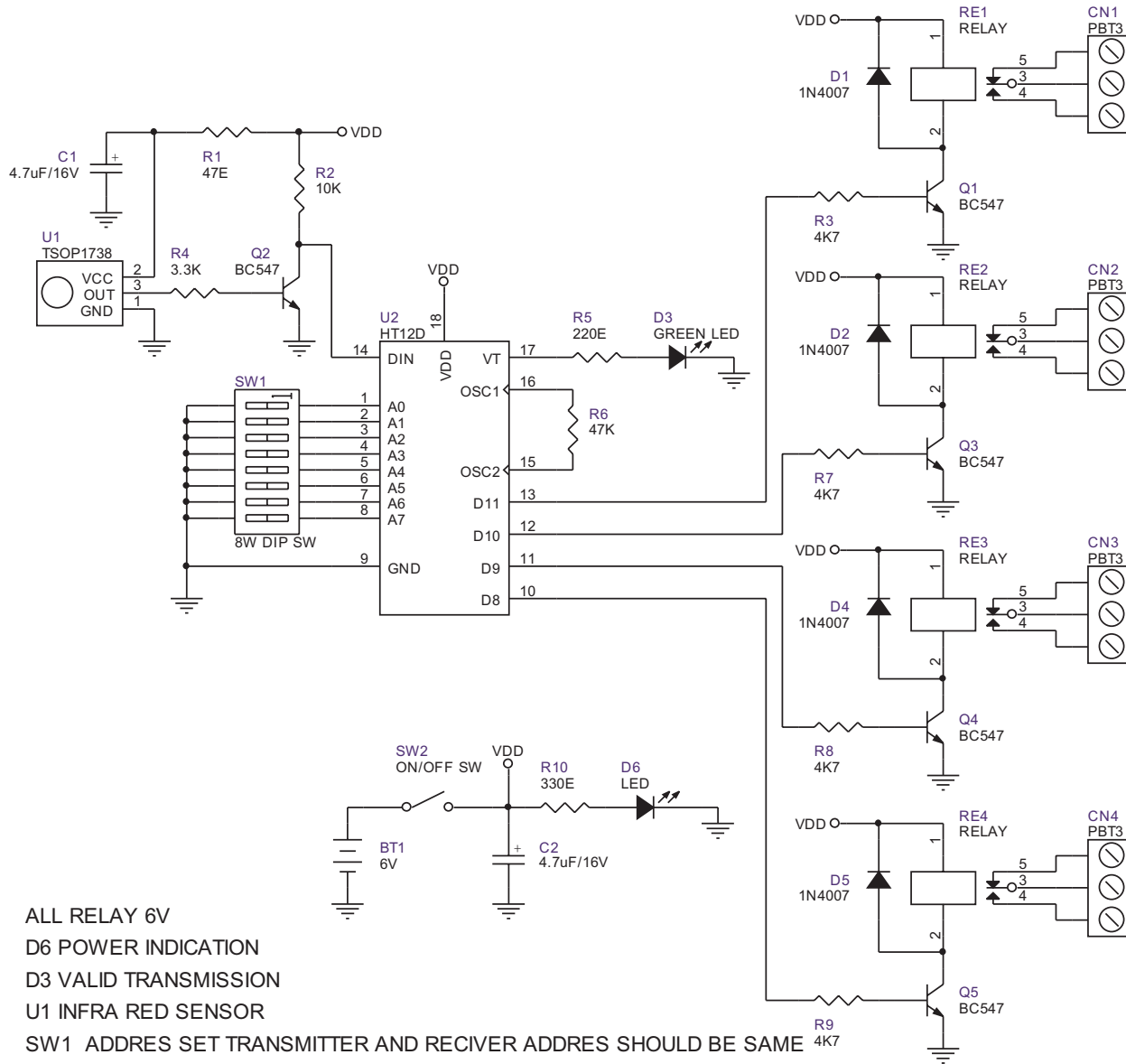
J1 OPEN LATCH FUNCTION



**TRANSMITTER**



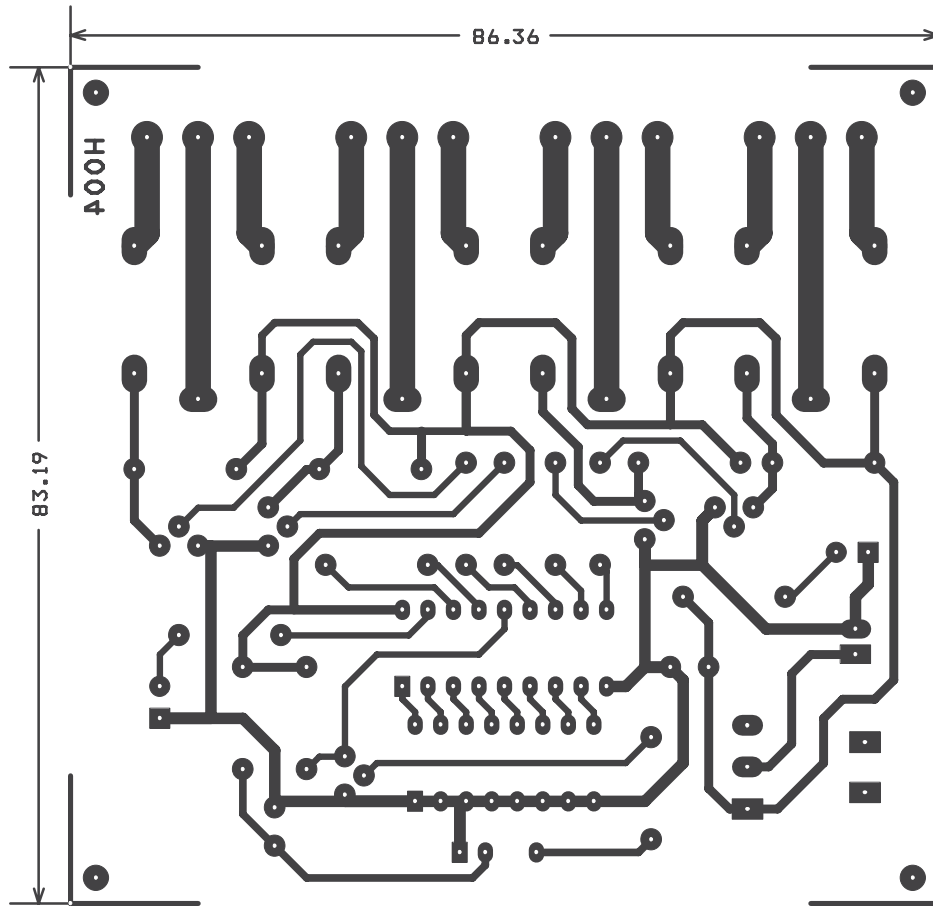
# 4 CHANNEL INFRA-RED REMOTE



- ALL RELAY 6V
- D6 POWER INDICATION
- D3 VALID TRANSMISSION
- U1 INFRA RED SENSOR
- SW1 ADDRESS SET TRANSMITTER AND RECIVER ADDRESS SHOULD BE SAME

**RECEIVER**

# 4 CHANNEL INFRA-RED REMOTE



RECEIVER

