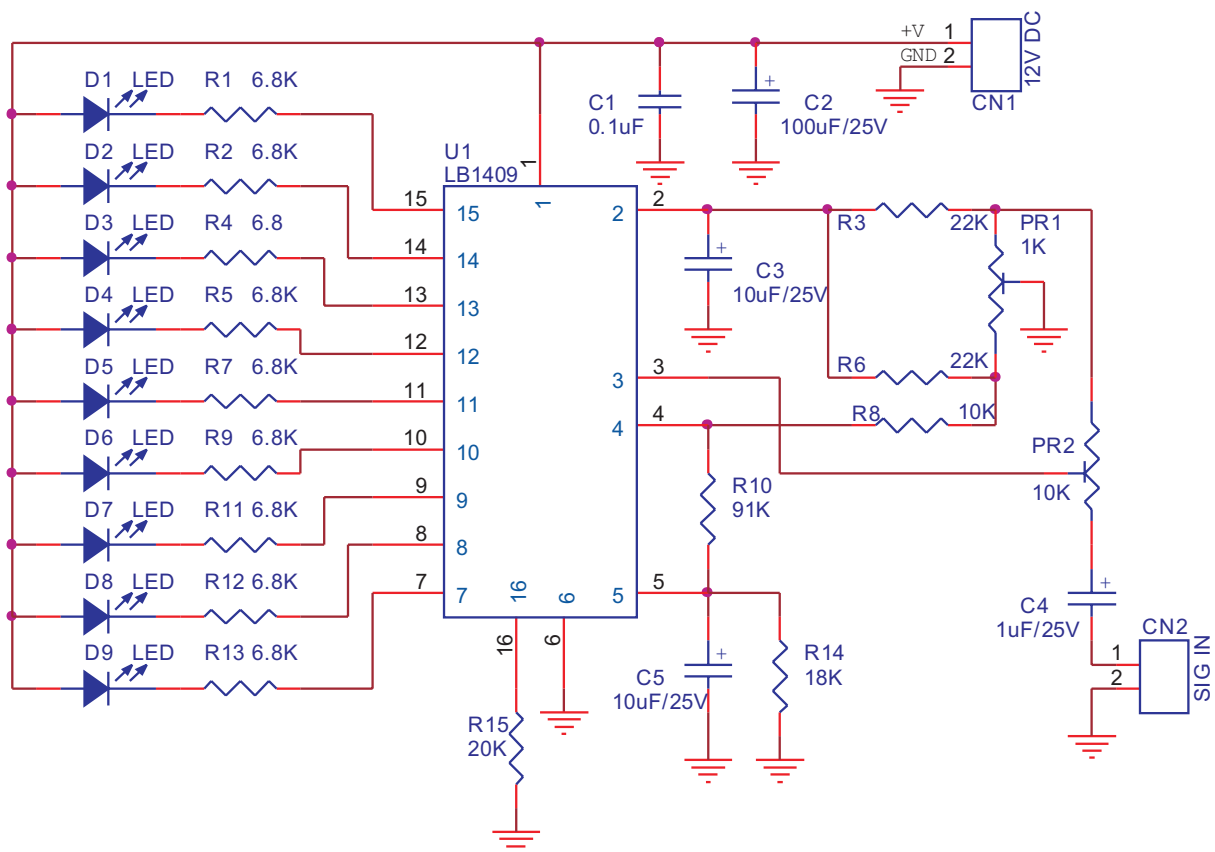
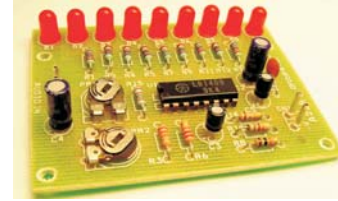


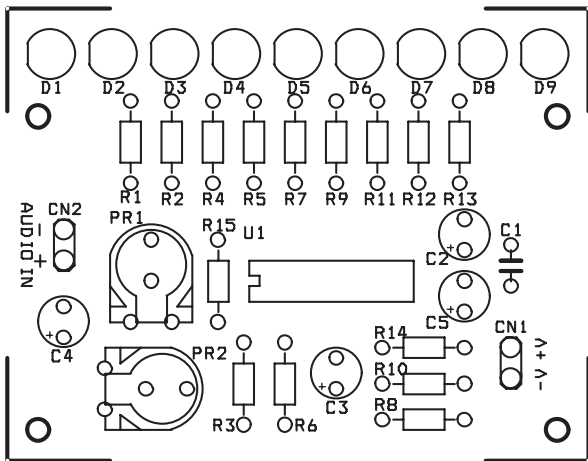
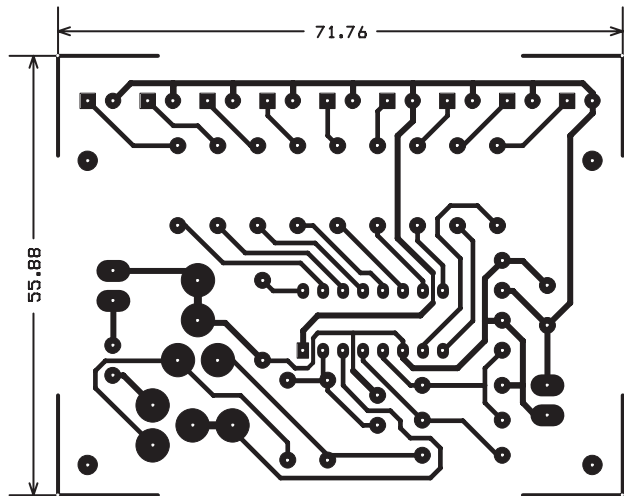
AUDIO VU METER 9 LED

SUPPLY 12V DC @ 50mA
PR1 REF SET
PR2 AUDIO LEVEL SET



BUILD SMARTER

e-circuits



SR	QNY	REF	DISC
1	1	CN1	2 PCB PINS
2	1	CN2	2 PCB PINS
3	1	C1	0.1uF
4	1	C2	100uF/25V
5	2	C3,C5	10uF/25V
6	1	C4	1uF/25V
7	9	D1,D2,D3,D4,D5,D6,D7,D8,D9	RED LED
8	1	PR1	1K
9	2	PR2,R8	10K
10	9	R1,R2,R4,R5,R7,R9,R11,R12,R13	6.8K
11	2	R3,R6	22K
12	1	R10	91K
13	1	R14	18K
14	1	R15	20K
15	1	U1	LB1409