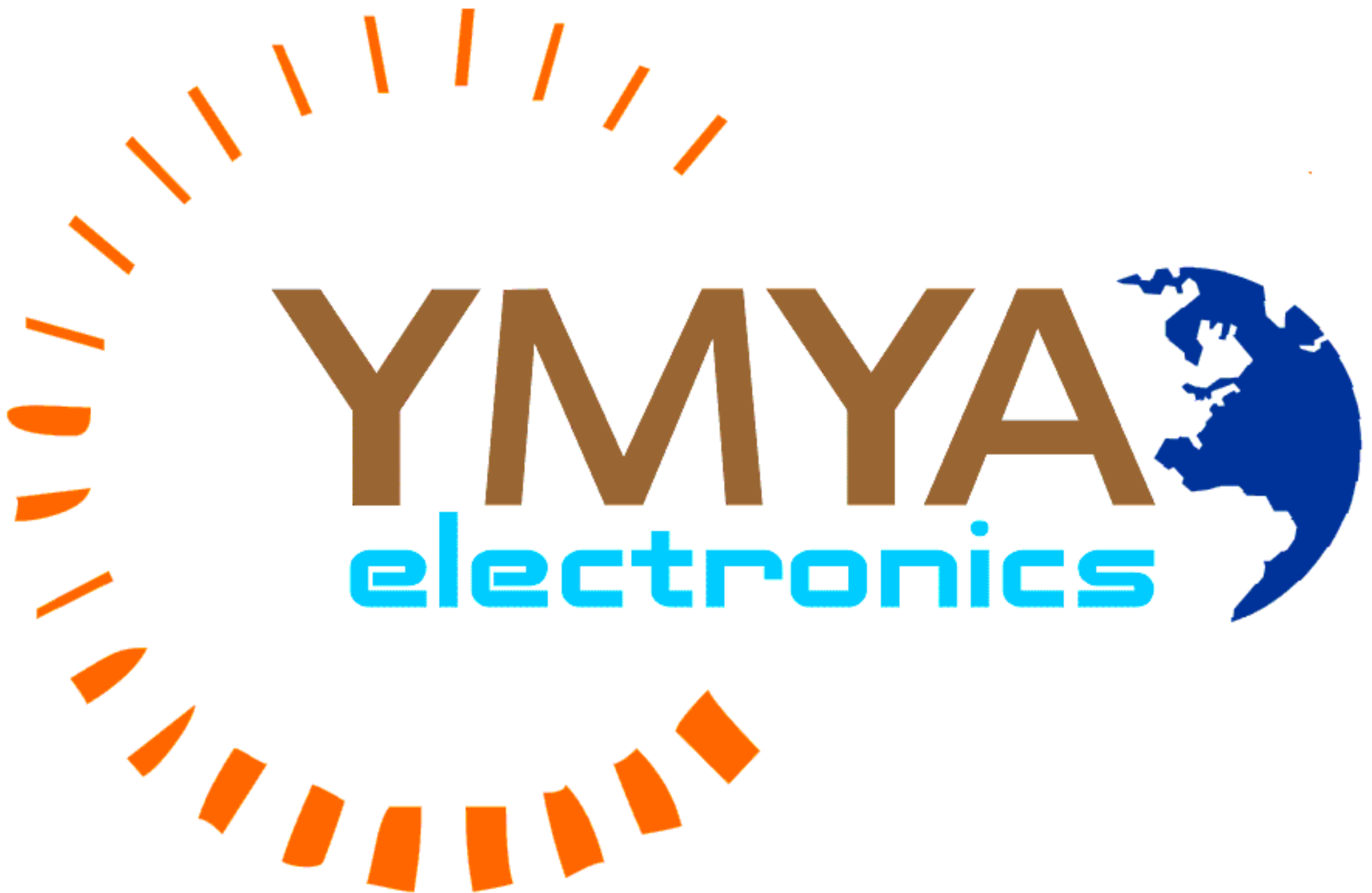


...: ULTRA HIGH SENSITIVE PROBE ...

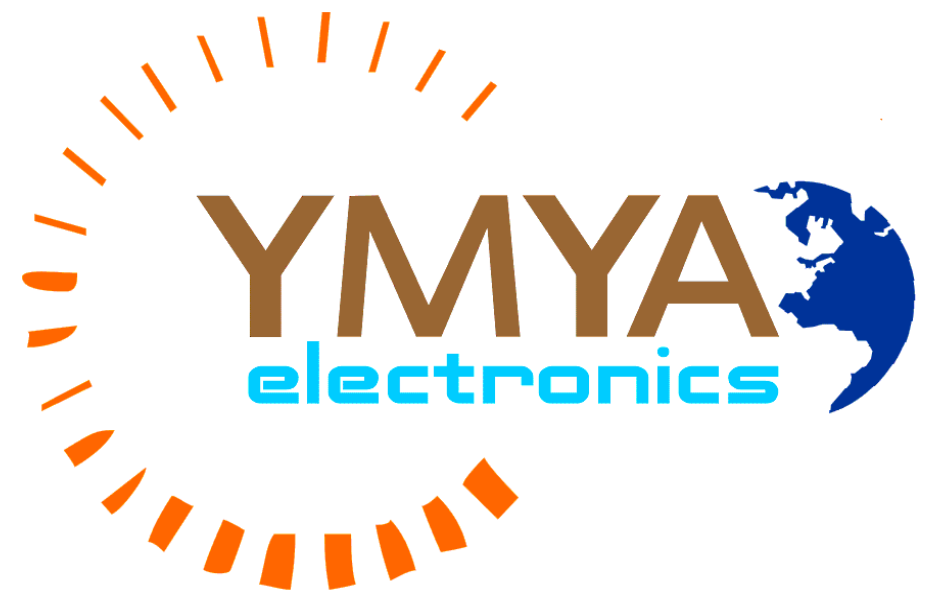
Author : **IZHAR FAREED**



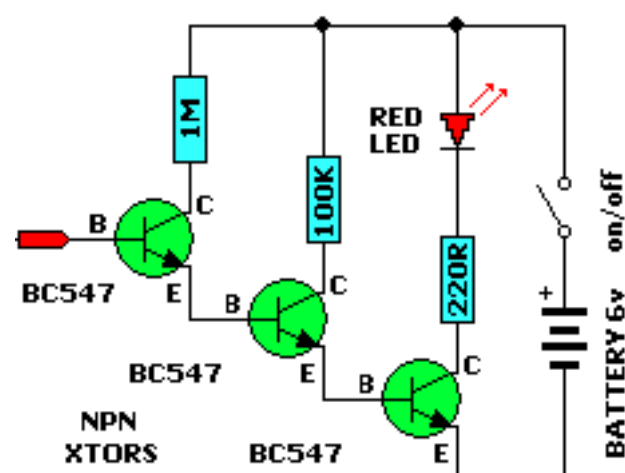
[izhar@gmx.com](mailto:izhar@gmx.com) / [izhar@gmx.us](mailto:izhar@gmx.us)

## ...: ULTRA HIGH SENSITIVE PROBE ...:

Author : *IZHAR FAREED*



### ...: CIRCUIT DIAGRAM ...:



### ...: DESCRIPTION ...:

This circuit is so sensitive it will detect "mains hum." Simply move it across any wall and it will detect where the mains cable is located. It has a gain of about  $200 \times 200 \times 200 = 6,000,000$  and will also detect static electricity and the presence of your hand without any direct contact. You will be amazed what it detects! There is static electricity EVERYWHERE! The input of this circuit is classified as very high impedance.

### ...: PICTURE OF THE FOLLOWING CIRCUIT ...:

