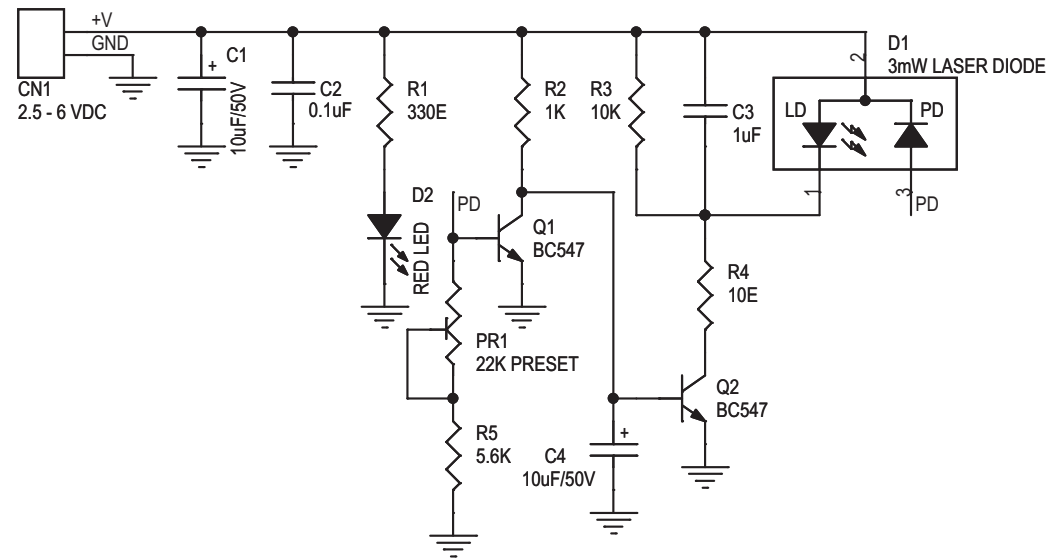
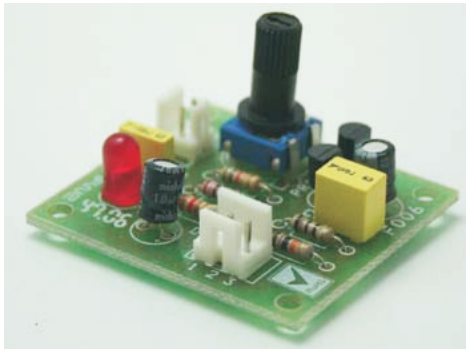


LASER DIODE DRIVER (5.6mm Pointer Diode)

Laser Diode Driver project will help you safely drive (constant current) a 3 mW visible Laser Diode for your application.

- Input supply 2.5 to 6 VDC
- Onboard preset to adjust the current flow to the Laser Diode
- Power-On LED indicator
- Relimate/Berg connector for easy input supply and LASER DIODE module connection
- Laser diode is not included
- Circuit is designed around Sanyo DL3148-025 LASER DIODE
- PCB dimensions 37 mm x 42 mm



- D1 - Connector for Laser Diode
- D2 - Power-On LED indicator
- CN1 - Input Supply
- PR1 - Constant Current Adjust

SR.	QTY.	REF.	DESCRIPTION
1	1	CN1	2 PIN RELIMATE/BERG CONNECTOR
2	2	C1,C4	10uF/50V
3	1	C2	0.1uF
4	1	C3	1uF
5	1	D1	3 PIN RELIMATE/BERG CONNECTOR
6	1	D2	RED LED
7	1	PR1	22K PRESET
8	2	Q1,Q2	BC547
9	1	R1	330E
10	1	R2	1K
11	1	R3	10K
12	1	R4	10E
13	1	R5	5.6K

