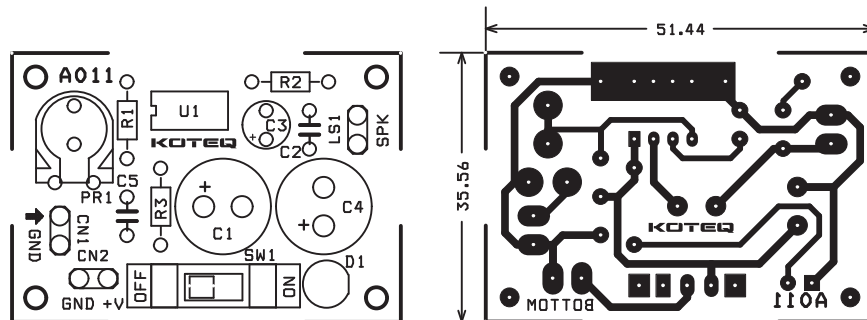
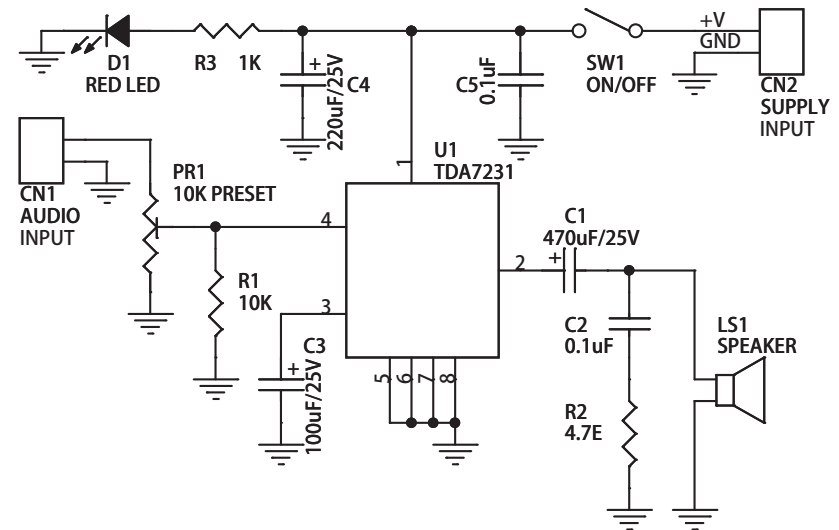
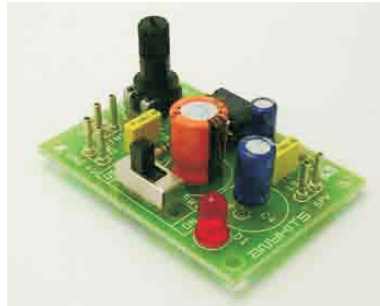


## 1.6W MONO AUDIO AMPLIFIER

1.6W Mono Audio Amplifier Project is based on TDA7231, which is class AB power amplifier with a wide range of supply.

- Power supply : 5 ~ 12 VDC
- Output : 1.6 W, 4 Ω / 1 W, 8 Ω
- Low crossover distortion, soft clipping
- Onboard PRESET to adjust volume PR1
- Terminal pins for connecting power supply, input and output
- ON/OFF PCB mounted slide switch for power supply
- Power-On LED indicator
- Four mounting holes of 3.2 mm each
- PCB dimensions 36 mm x 52 mm



SR.	QTY.	REF.	DISC.
1	1	CN1	2 PCB PIN
2	1	CN2	2 PCB PIN
3	1	C1	470uF/25V
4	2	C2,C5	0.1uF
5	1	C3	100uF/25V
6	1	C4	220uF/25V
7	1	D1	RED LED
8	1	LS1	2 PCB PIN
9	1	PR1	10K PRESET
10	1	R1	10K
11	1	R2	4.7E
12	1	R3	1K
13	1	SW1	SLIDE SWITCH
14	1	U1	TDA7231
15	1	SOCKET	8 PIN DIP IC SOCKET

