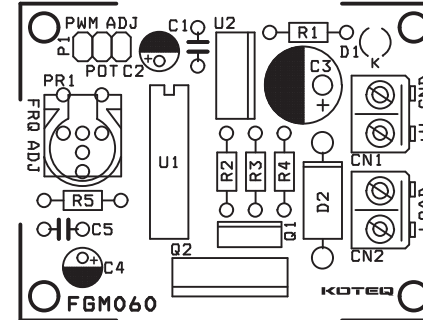


PWM HALOGEN DIMMER

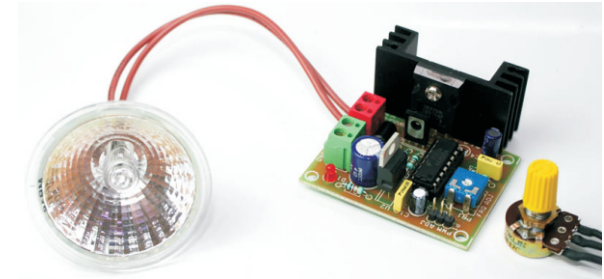
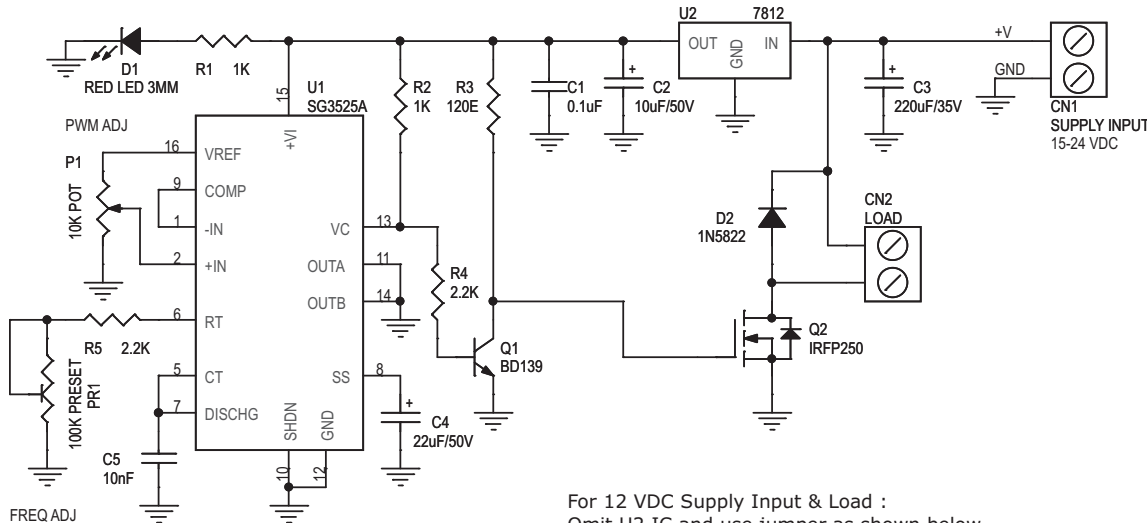
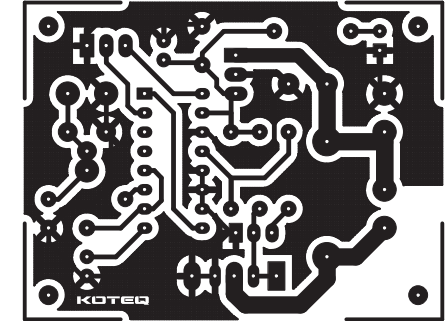
High Current PWM Halogen Dimmer controller project is designed around SG3525 IC and High current MOSFET. Project can handle lamp up to 5 Amps (10Amps Possible with big heat sink) and supply 12-24V DC. Ideal for Halogen Dichroic Lamp or Halogen Lamp.

- Supply input 15 to 24 VDC
- Load-Lamp 12 to 24 VDC @ 5 A Ideal (10 A Peak)
- Onboard preset for frequency adjust
- Frequency adjustable 4 KHz to 30 KHz
- PWM Duty cycle 0 to 100% (+/- 5%)
- Potentiometer for dimming adjust
- Soft Start facility
- Clamp diode for protection
- Power-On LED indicator
- Compact design and high quality
- Lamp and supply connection via screw terminal connector
- Four mounting holes of 3.2 mm each
- PCB dimensions 56 mm x 42 mm

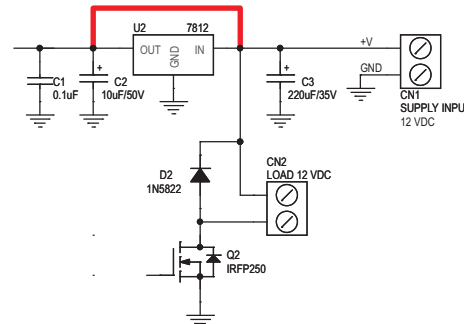
SILK SCREEN TOP



MOTTD08



For 12 VDC Supply Input & Load :
Omit U2 IC and use jumper as shown below



CN1 Connector : Supply Input 15-24 VDC
CN2 Connector : Load (Lamp) 15-24 VDC
PR1 Preset : Frequency Adjust
P1 Pot : PWM Adjust
D1 LED : Power Indication

SR.	QTY.	REF.	DESCRIPTION
1	1	CN1	2 PIN SCREW TERMINAL CONNECTOR
2	1	CN2	2 PIN SCREW TERMINAL CONNECTOR
3	1	C1	0.1uF
4	1	C2	10uF/50V OR 63V
5	1	C3	220uF/35V
6	1	C4	22uF/50V
7	1	C5	10nF
8	1	D1	RED LED 3MM
9	1	D2	1N5822
10	1	PR1	100K PRESET
11	1	P1	3 PIN BERG CONNECTOR
12	1	Q1	BD139
13	1	Q2	IRFP250
14	2	R1,R2	1K
15	1	R3	120E
16	2	R4,R5	2.2K
17	1	U1	SG3525A/KA3525A
18	1	U2	7812
19	1	POT	10K POTENTIOMETER
20	1	SOCKET	16 PIN DIP IC SOCKET
21	1	HEATSINK	HS09045
22	1	SCREW	SC02907
23	1	NUT	NT02900



03038