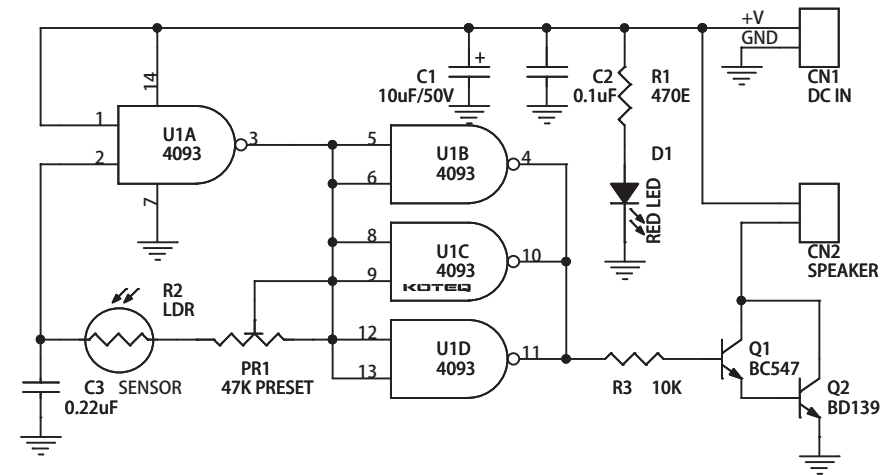


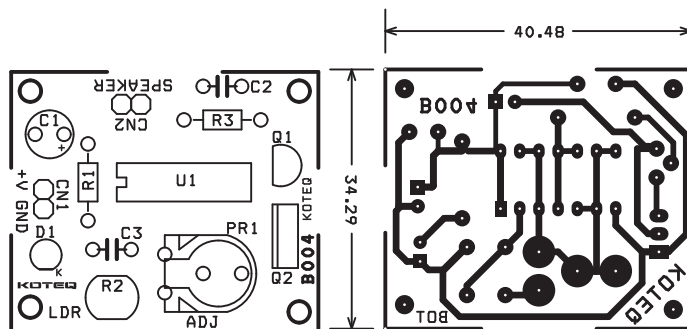
LIGHT SENSITIVE AUDIO OSCILLATOR

Light Sensitive Audio Oscillator project is a fun loving project which will create different sound effects depending on the light falling on the sensor

- Supply input 5 ~ 12 VDC
- Output 8 Ohms, 0.5 W Speaker
- Terminal pins for supply voltage and speaker connection
- Power-On LED indicator
- PCB dimensions 38 mm x 44 mm



CN1 - DC Supply Input
 CN2 - Speaker Output
 D1 - Power-On LED Indicator
 R2 - Sensor



SR.	QTY.	REF	DESCRIPTION
1	1	CN1	2 PCB PIN
2	1	CN2	2 PCB PIN
3	1	C1	10uF/50V OR 63V
4	1	C2	0.1uF
5	1	C3	0.22uF
6	1	D1	RED LED
7	1	PR1	47K/50K PRESET
8	1	Q1	BC547
9	1	Q2	BD139
10	1	R1	470E
11	1	R2	LDR
12	1	R3	10K
13	1	U1	4093
14	1	SOCKET	14 PIN DIP IC SOCKET

