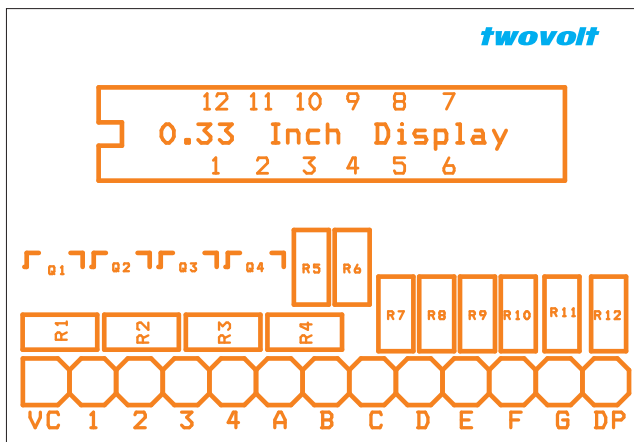
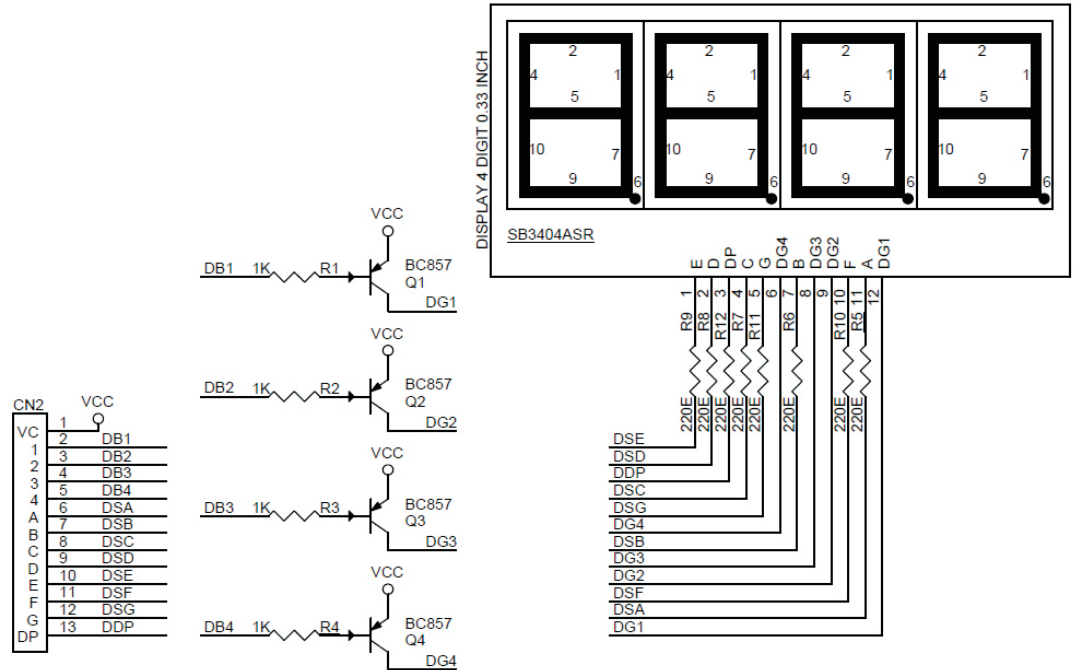
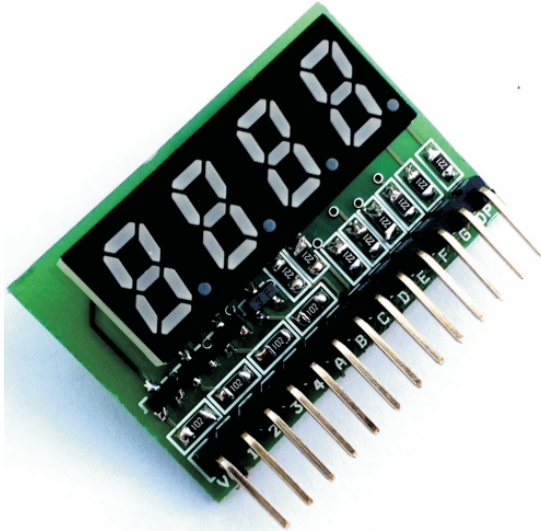


## 4 Digit Multi-Plexed 0.33 Inch 7 Segment Common Anode Display

7 Seven segment multi-plexed display is tiny board has been designed around Common Anode 4 digit Display, Display has 12 Pins. The board is provided with current limiting resistors on all LED segments and 4 PNP Transistors to drive 4 digits, the project is ideal for easy micro-controller interface with 13 pin Header connector. The Board supports 3.3V as well 5V TTL interface.



BOM			
SR	QNTY.	REF.	DESC
1	1	CN2	13 PIN HEADER
2	4	Q1,Q2,Q3,Q4	BC857 SMD SOT23
3	4	R1,R2,R3,R4	1K SMD 0805
4	8	R5,R6,R7,R8,R9,R10,R11,R12	220E SMD 0805
5	1	DS1	SB3404ASR 0.39 INCH

