

# Large Current Relay with Dual Output DC-DC Converter for Hobby CNC/Router

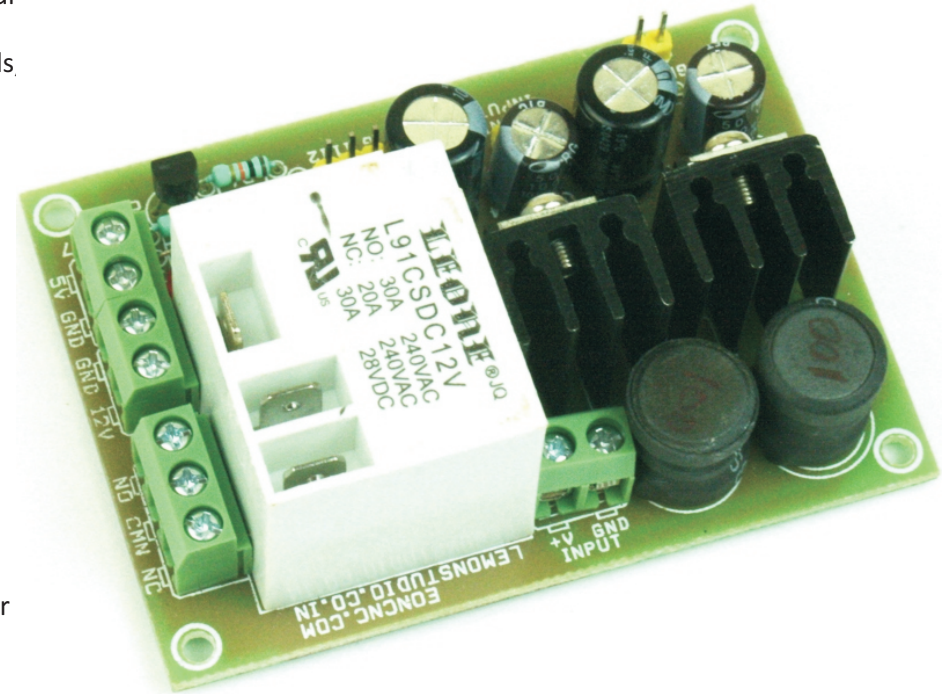
Single Channel Large current relay board with dual DC-DC converter board is mainly designed for Hobby CNC, Routers, and Plasma cutters.

Hobby CNC controller required multiple DC outputs to drive varies things. This board provides 5V DC and 12V DC 1Amp each. The dual supply helps driving LPT breakout board, Sensors, Limit switches and few other things required 5V and 12V

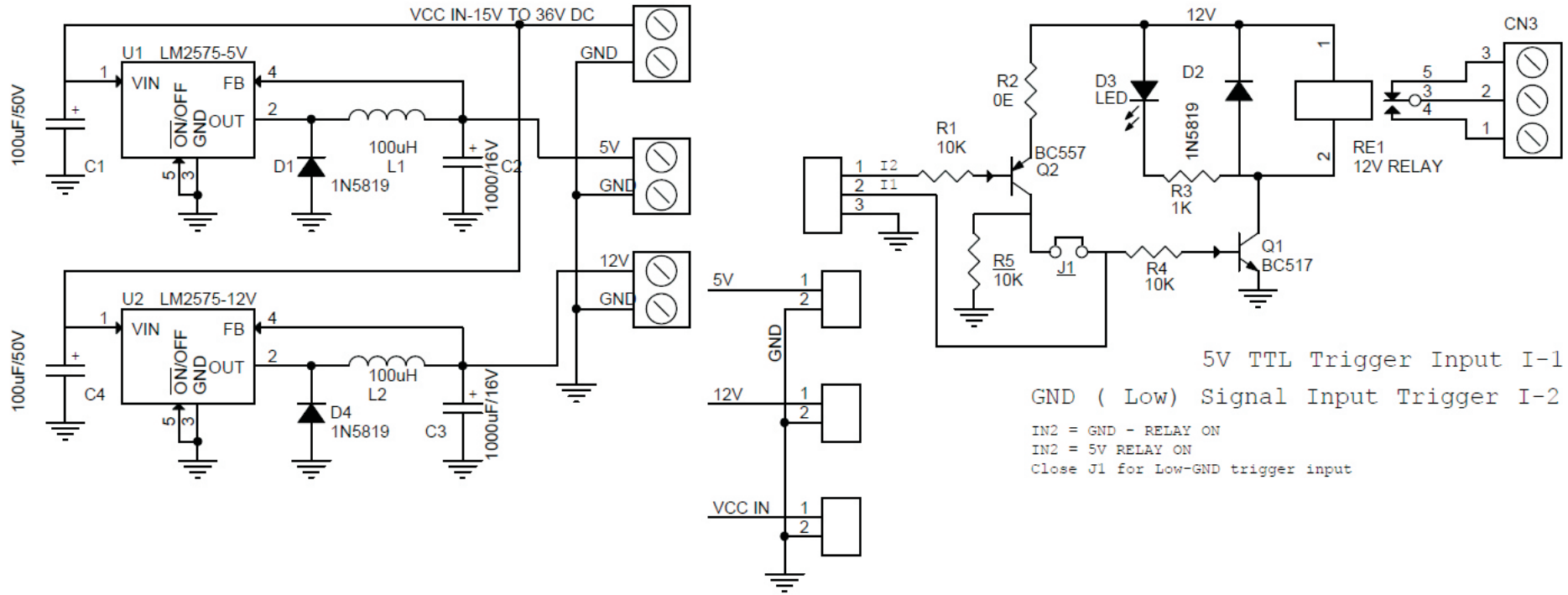
The Relay has large current handle capacity can be used to drive spindles, solenoids, High signal to trigger or it has facility to even trigger with GND signal.

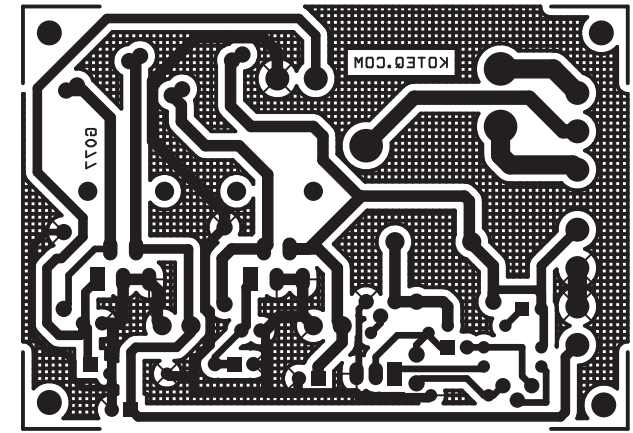
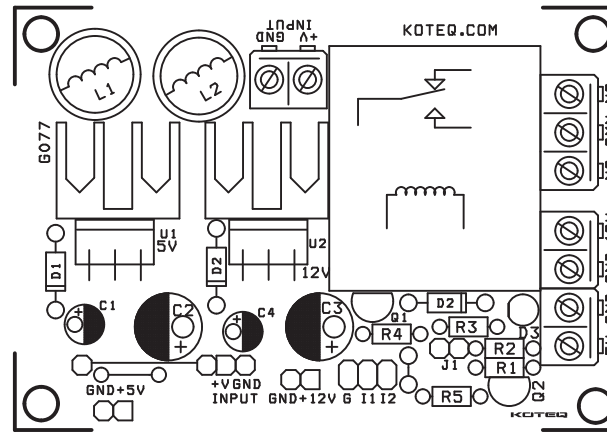
## Features

- Supply Input 15V to 35V DC
- DC Outputs 5V @ 1A & 12V 1A
- On Board Power LED
- Relay Contact 20Amp NC and 30 Amps NO 230V AC
- Relay Trigger 5V TTL in or GND input
- Screw Terminal and 2 Pin Header Connector Provided for Supply Input
- Screw Terminal and 2 pin header provided for 5V DC & 12V DC Output
- 3 Pin Screw Terminal Provide for Relay output Connections NO/NC
- 3 Pin Header Connector for TTL + Signal Trigger, and Low GND signal Trigger
- Close The Jumper to trigger rely with low GND signal input



# Large Current Relay with Dual Output DC-DC Converter for Hobby CNC/Router





BOM			
SR	QNTY	REF	DESC.
1	1	CN2	3 PIN HEADER CONNECTOR
2	1	CN3	3 PIN SCREW TERMINAL
3	3	CN4,CN5,CN6	2 PIN SCREW TERMINAL
4	3	CN7,CN8,CN9	2 PIN HEDAER CONNECOTR
5	2	C1,C4	100uF/50V
6	1	C2	1000/16V
7	1	C3	1000uF/16V
8	3	D1,D2,D4	1N5819
9	1	D3	3MM RED LED
10	1	J1	JUMPER & CLOSURE
11	2	L1,L2	100uH/1AMP
12	1	Q1	BC517
13	1	Q2	BC557
14	1	RE1	12V RELAY
15	3	R1,R4,R5	10K
16	1	R2	OE
17	1	R3	1K
18	1	U1	LM2575-5V
19	1	U2	LM2575-12V

