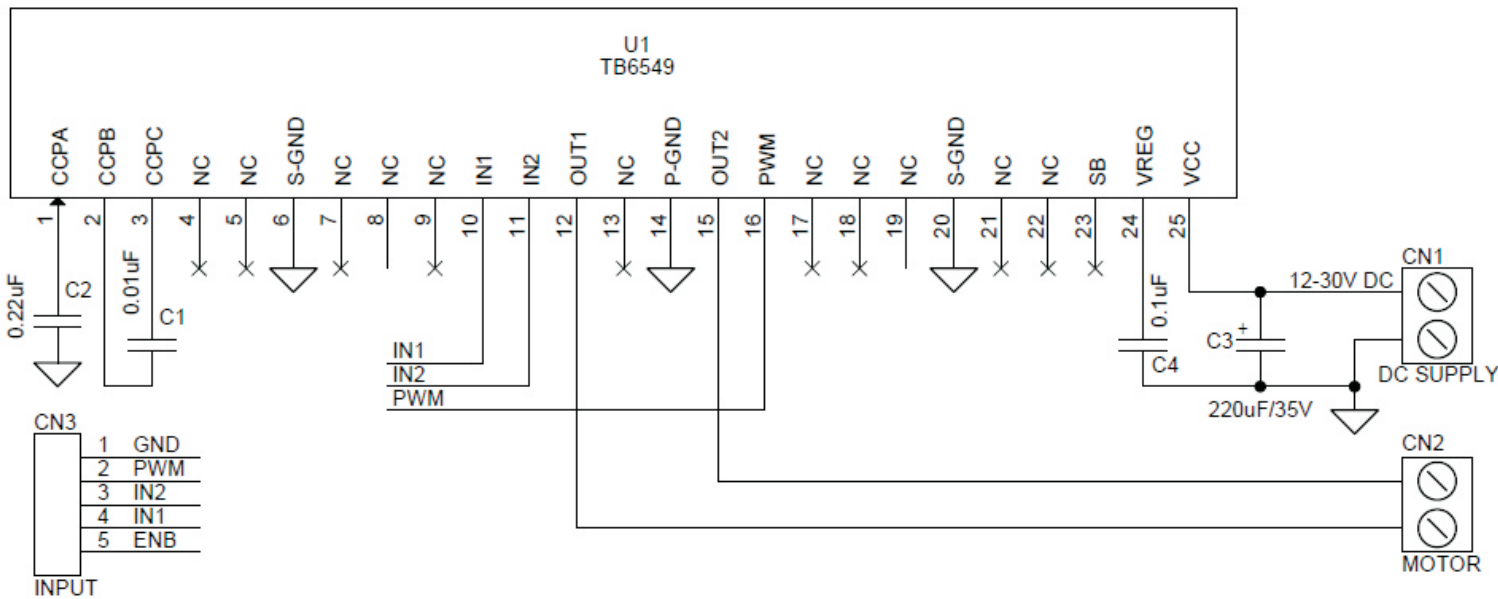
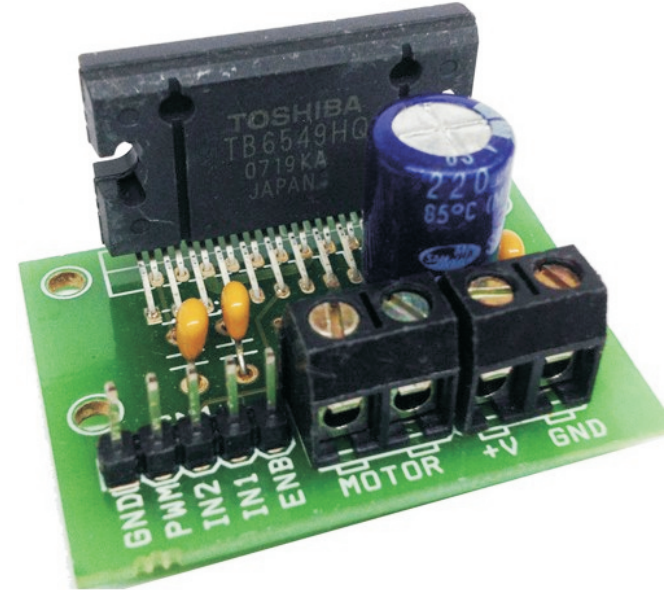


4.5A H-Bridge DC Motor Driver Module Using TB6549HQ

The H-Bridge Motor Driver Module Based on TB6549HQ IC from Toshiba, The TB6549HQ is a full-bridge driver IC for DC motors that uses an LDMOS structure for output transistors. High-efficiency drive is possible through the use of a MOS process with low ON-resistance and a PWM drive system. Four modes, CW, CCW, short brake, and stop, can be selected using IN1 and IN2. Supply input 12V to 30V DC and Maximum Load 4.5Amps.

Features

- Power supply voltage: 30 V (max)
- Output current 4.5 A
- Low ON-resistance: 1.0 Ω (up + low/typ.)
- PWM control capability
- Standby system
- Function modes: CW/CCW/short brake/stop
- Built-in overcurrent protection
- Built-in thermal shutdown circuit



4.5A H-Bridge DC Motor Driver Module Using TB6549HQ

BOM			
SR.	QNTY.	REF.	DESC
1	1	CN1	2 PIN SCREW TERMINAL
2	1	CN2	2 PIN SCREW TERMINAL
3	1	CN3	5 PIN HEADER
4	1	C1	0.01uF
5	1	C2	0.22uF
6	1	C3	220uF/35V
7	1	C4	0.1uF
8	1	U1	TB6549

Input				Output		
IN1	IN2	ENABLE	PWM	OUT1	OUT2	Mode
H	H	H	H	L	L	Short brake
			L			
L	H	H	H	L	H	CW/CCW
			L	L	L	Short brake
H	L	H	H	H	L	CCW/CW
			L	L	L	Short brake
L	L	H	H	OFF (high impedance)		Stop
			L			
H/L	H/L	L	H	OFF (high impedance)		Standby
			L			

