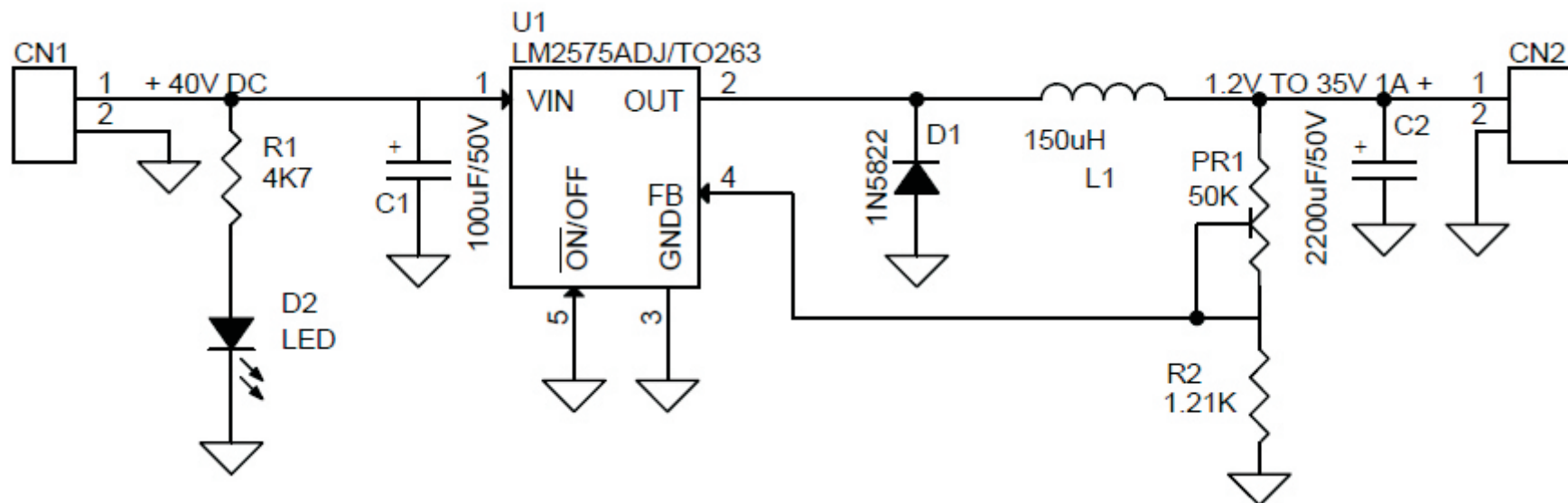


1A 1.2V To 35V Adjustable Regulator Board

The board built around LM2575-ADJ from Texas instruments. A 1.0 A output current capability power supply that features an adjustable output voltage, This regulator board delivers 1.0 A into 1.2 V to 35 V output. The input voltage ranges from roughly 8.0 V to 40 V. In order to achieve a 10 or more times reduction of output ripple.

Features

- Output 1.2 to 35 VDC @ 1 A
- Input Supply 8 To 40V (1.2V To 35V Required 40V Input)
- Onboard Trimpot for output voltage adjust
- On Board Power LED
- Header Connector For Input & Output



1A 1.2V To 35V Adjustable Regulator Board

BOM			
SR.	QNTY.	REF.	DESC.
1	2	CN1,CN2	2 PIN HEADER CONNECTOR
2	1	C1	100uF/50V
3	1	C2	2200uF/50V
4	1	D1	1N5822
5	1	D2	LED SMD 1206
6	1	L1	150uH SMD 12MM
7	1	PR1	50K TRIMPOT
8	1	R1	4K7 SMD 1206
9	1	R2	1.21K SMD 1206
10	1	U1	LM2575ADJ/TO263

