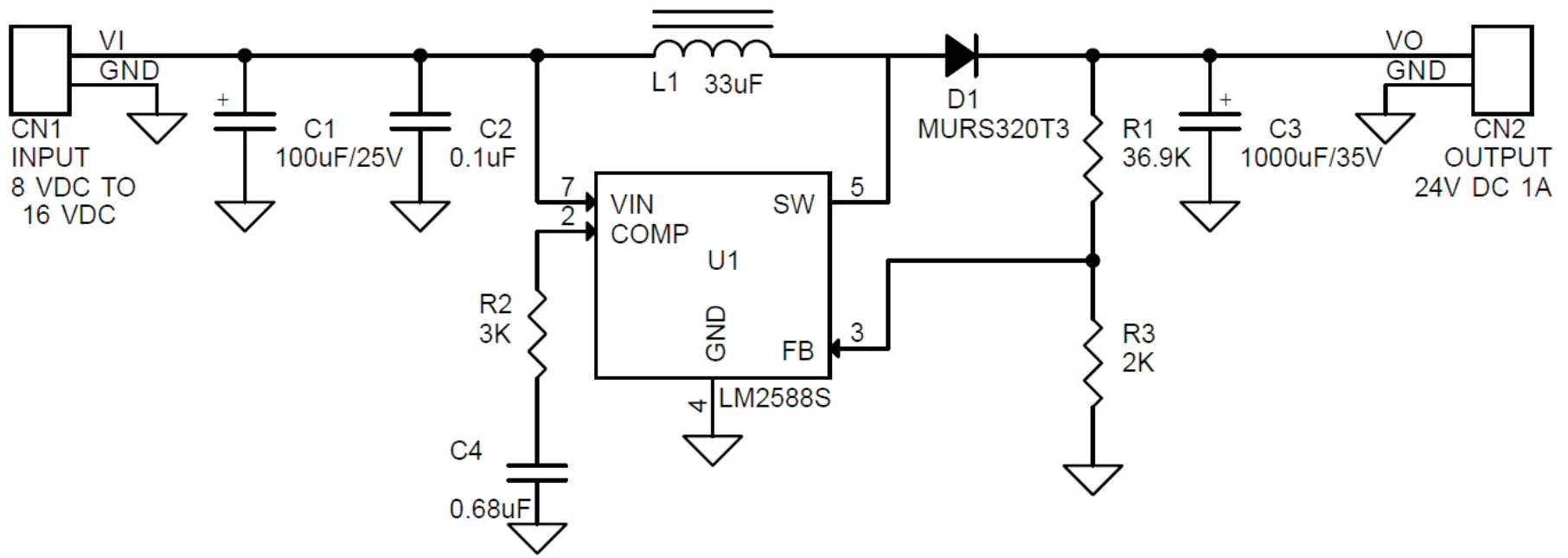
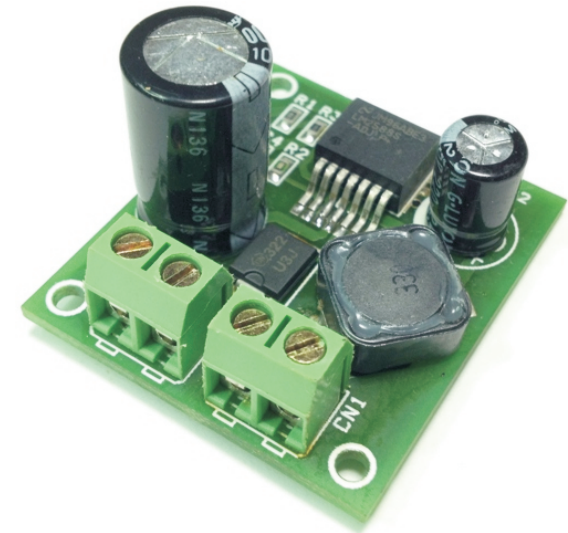


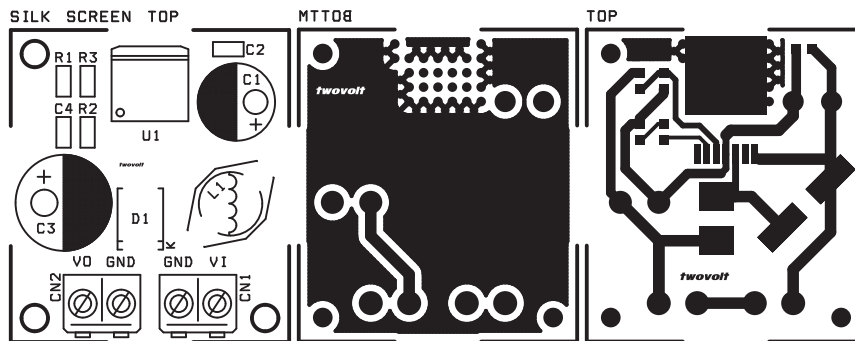
## 12V TO 24V 1A BOOSTER USING LM2588 FLY-BACK REGULATOR

12V To 24V Booster is based on LM2588 IC from Texas Instruments. The LM2588 regulator integrated circuit specifically designed for fly-back, step-up (Boost), and forward converter. The board provides 24V DC 1A DC output, Input 8V to 16V DC. Board has minimum components, screw terminal provided for input & outputs.

### Features

- Supply Input 8V To 16V DC ( Ideal 12V DC)
- Output 24V 1A





BOM			
SR.	QNTY.	REF.	DESC.
1	1	CN1	2 PIN SCREW TERMINAL
2	1	CN2	2 PIN SCREW TERMINAL
3	1	C1	100uF/25V
4	1	C2	0.1uF
5	1	C3	1000uF/35V
6	1	C4	0.68uF
7	1	D1	MURS320T3
8	1	L1	33uF
9	1	R1	36.9K
10	1	R2	3K
11	1	R3	2K
12	1	U1	LM2588S

