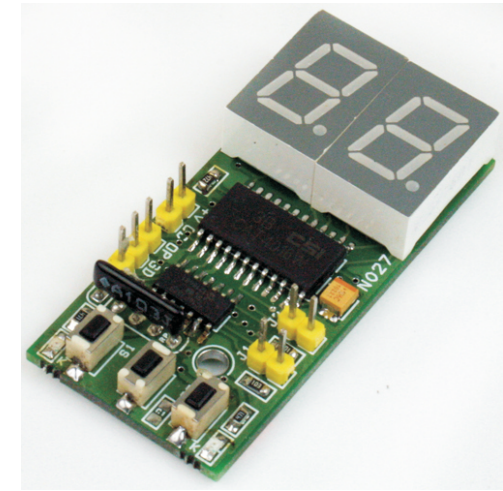


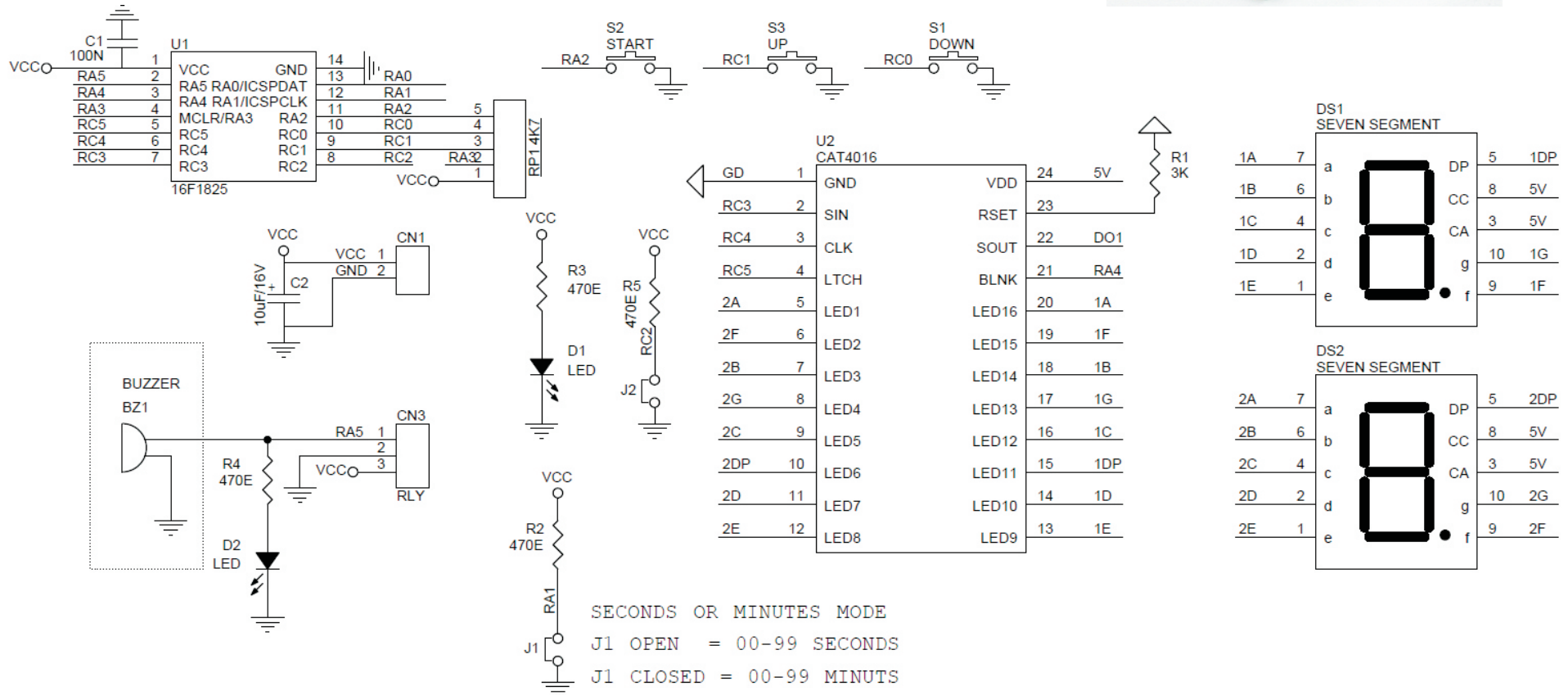
2 Digit Kitchen Timer 00-99 Seconds Or 00=99 Minutes

The projects shown here is a 2 Digit 0-99 Seconds or 0-99 Minutes Countdown kitchen timer based on PIC16F1825 micro-controller. The timer is useful in various applications like Cooking, Sports, Industrial, Sleeping. On board switches provided to set the time and start, a jumper to select the mode 99 Seconds or 99 Minutes. TTL output directly drives the Buzzer.



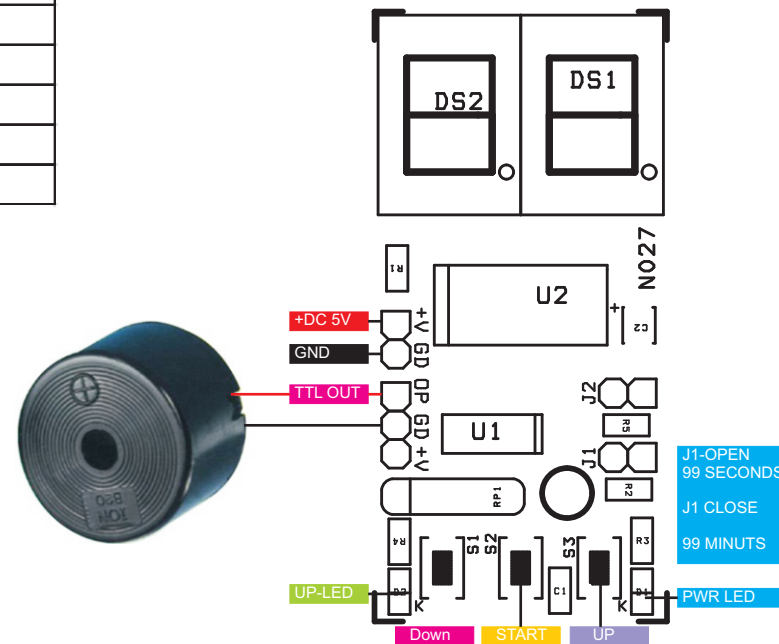
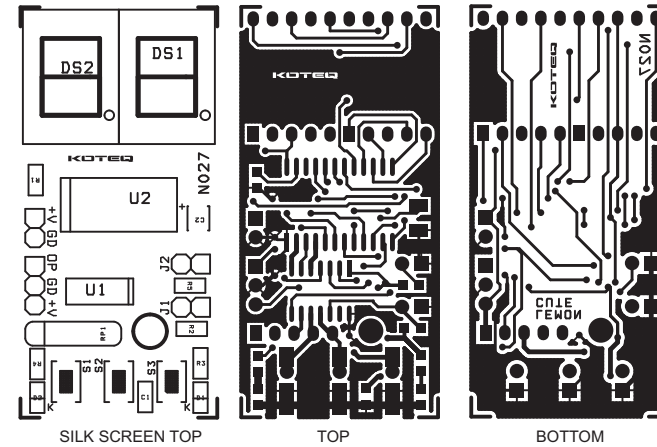
Features

- Supply 5V DC
- Timer 0-99 Seconds Or 0-99 Minutes
- Jumper J1 Mode Selection Open Seconds, Closed Minutes
- 2 Digit 0.5Inch 7 Segment Display
- Tact Switch for Time Set & Start
- Output 5V TTL Direct Drive Buzzer



2 Digit Kitchen Timer 00-99 Seconds Or 00=99 Minutes

BOM			
SR.	QNTY.	REF	DESC.
1	1	CN1	2 PIN HEADER CONNECTOR
2	1	CN3	3 PIN HEADER CONNECTOR
3	1	C1	0.1uF SMD 0805
4	1	C2	10uF/16V SMD TANTLUM 1210
5	2	DS1,DS2	COMON ANODE RED 7 SEGMENT 0.5" DISPLAY
6	2	D1,D2	LED SMD 0805
7	1	J1	2 PIN JUMPER & CLOSER
8	1	RP1 4K7	5 PIN 4K7 RESISTOR PACK
9	1	R1	3K SMD 0805
10	4	R2,R3,R4,R5	470E SMD 0805
11	1	S1	TACT SWITCH
12	1	S2	TACT SWITCH
13	1	S3	TACT SWITCH
14	1	U1	PIC16F1825 SMD SO14
15	1	U2	CAT4016 SMD SO24
16	1	J2	OMIT
17	1	BUZ	10MM BUZZER



0 7 0 0 5