

RL-2580

FLYBACK TRANSFORMER

FOR TEXAS INSTRUMENTS

(FORMALLY NATIONAL SEMICONDUCTOR)

DESCRIPTION

- Flyback Transformer
- LM-258X

ENVIRONMENTAL DATA

- Storage temperature range: -55°C to +130°C
- Operating temperature range: -40°C to +130°C

PACKAGING INFORMATION

- Contact Customer Support 800.645.5828

FEATURES & APPLICATIONS

- Compact through-hole transformer
- Flyback topology power supplies

Verify operation with sample in actual circuit. Order samples at www.rencousa.com.

MECHANICAL DIMENSIONS

U.S. Standard (mm)

PART NUMBER	A (MAX.)	B	C (MIN.)	D	E (TYP.)	F	G
RL-2580	1.100 (27.95)	0.830 (21.08)	0.175 (4.45)	0.200 (5.08)	0.150 (3.80)	1.050 (26.68)	0.025 (0.65)

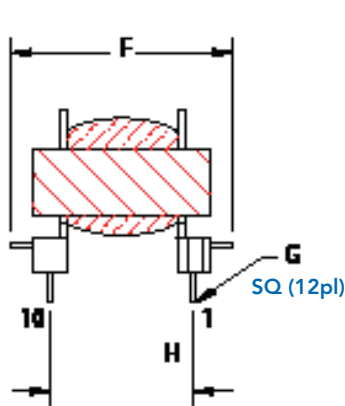
H
0.630 (16.00)

PART WEIGHT
18g (0.6502)

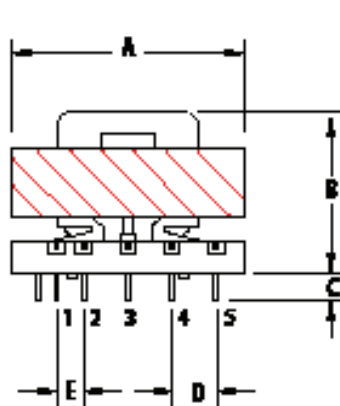
TEST MEASUREMENTS:

1. L (1-5) = 100 μ H \pm 10% AT 0.1 VRMS 10 kHz
2. RDC (1-5) = 0.062 Ω MAX

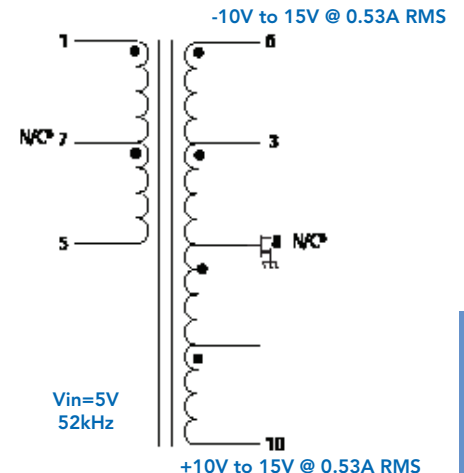
FRONT VIEW



SIDE VIEW



SCHEMATIC



N/C* No connection (internal connection not for customer use)



RENCO ELECTRONICS INC.

595 International Place, Rockledge, FL 32955-4200 USA • www.rencousa.com • ISO 9001 Certified
Toll Free Engineering Hot Line: 800.645.5828 • P: 321.637.1000 • F: 321.637.1600

