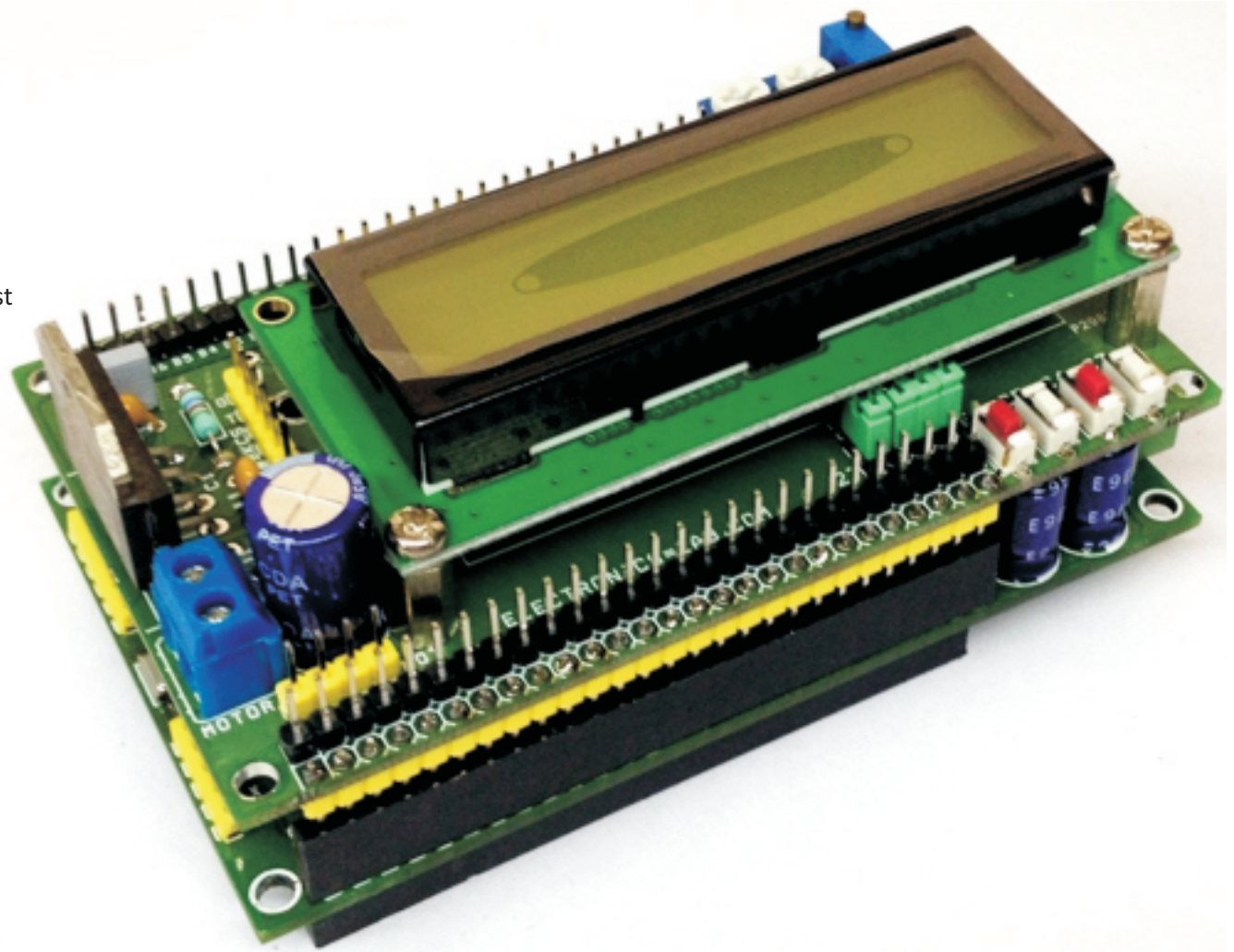


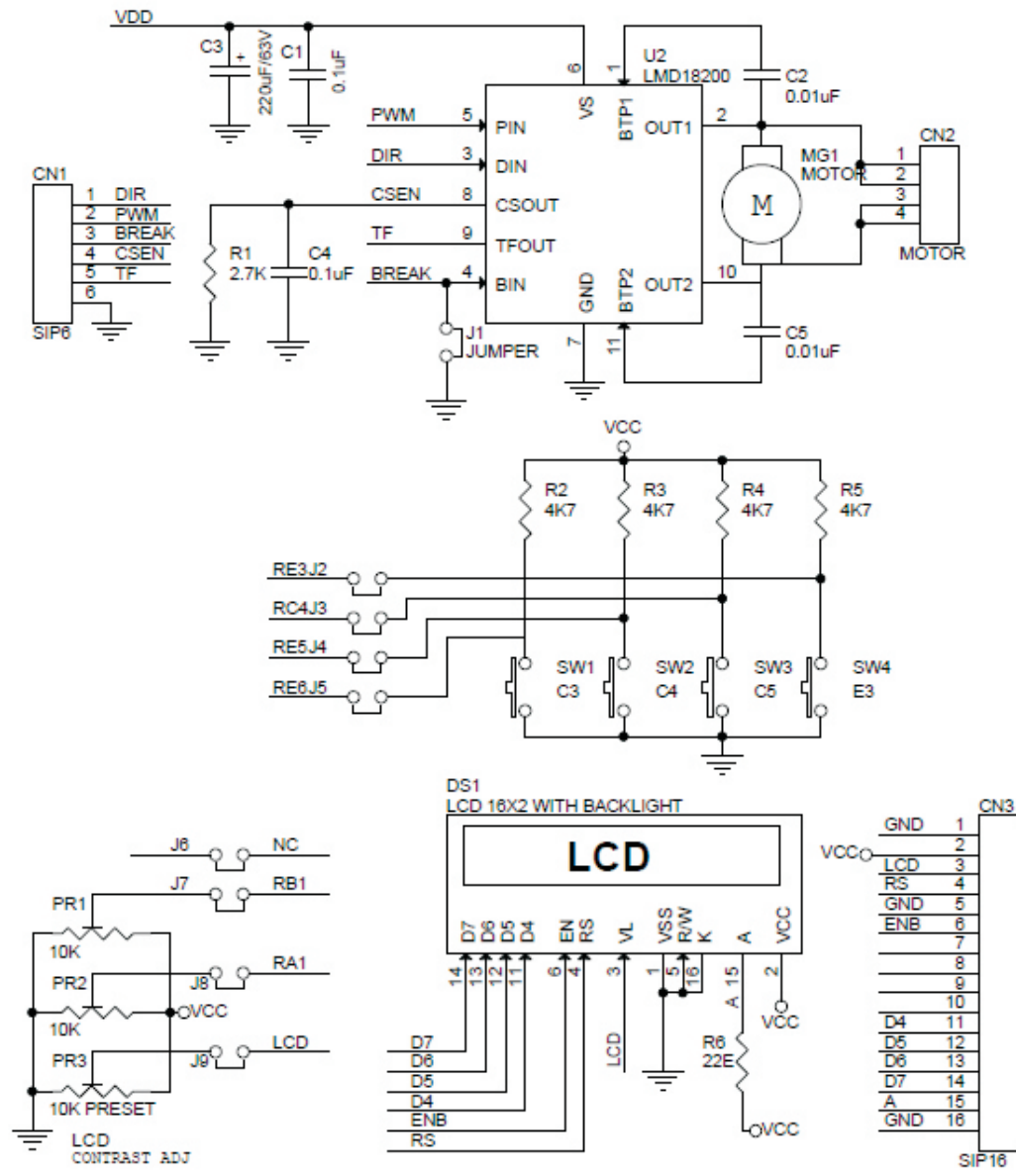
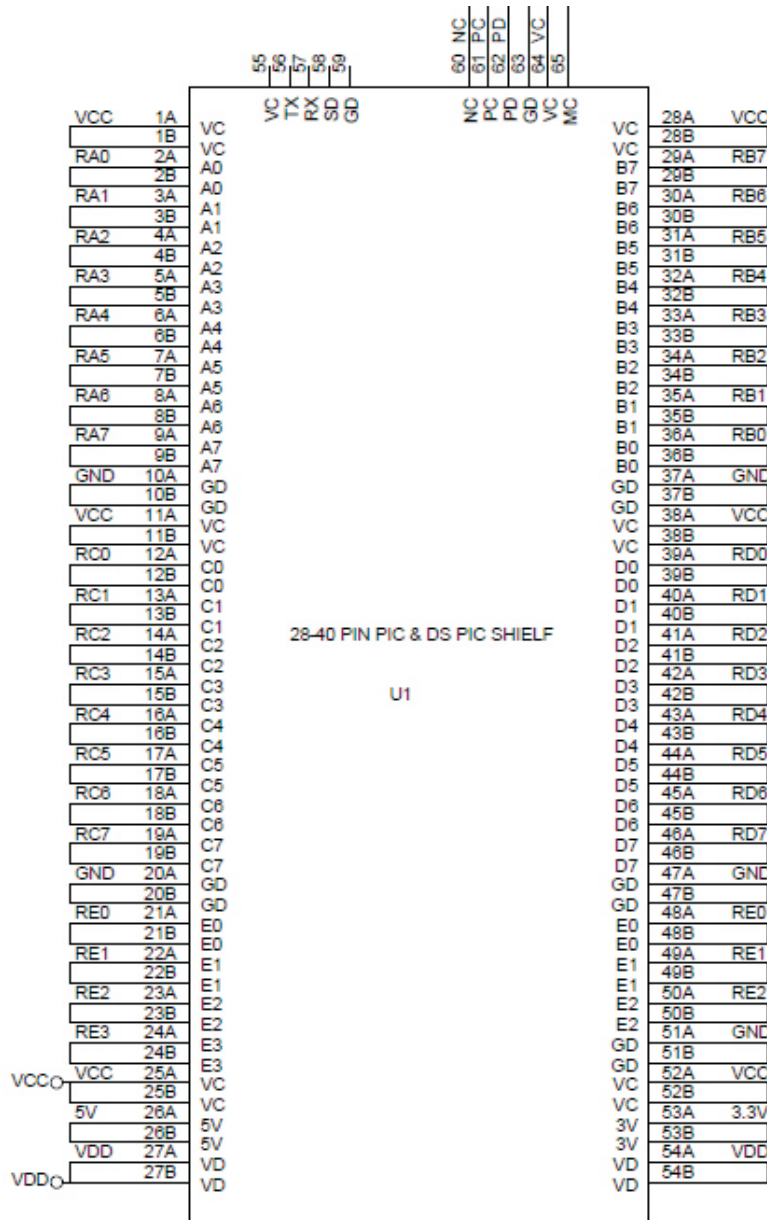
16X2 LCD Shield with LMD18201 Motor Driver

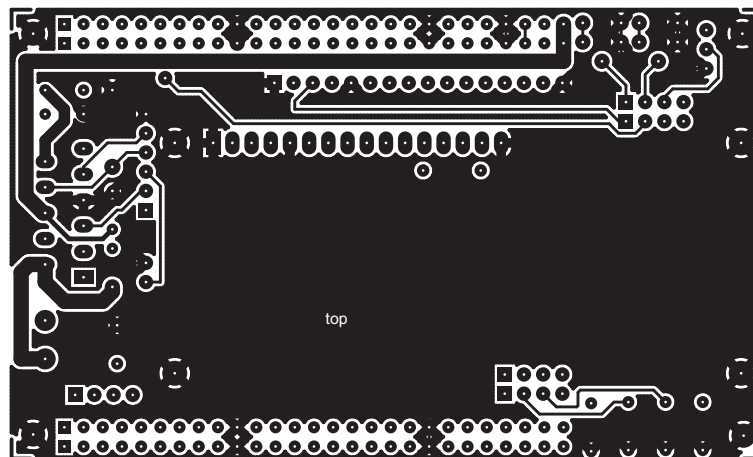
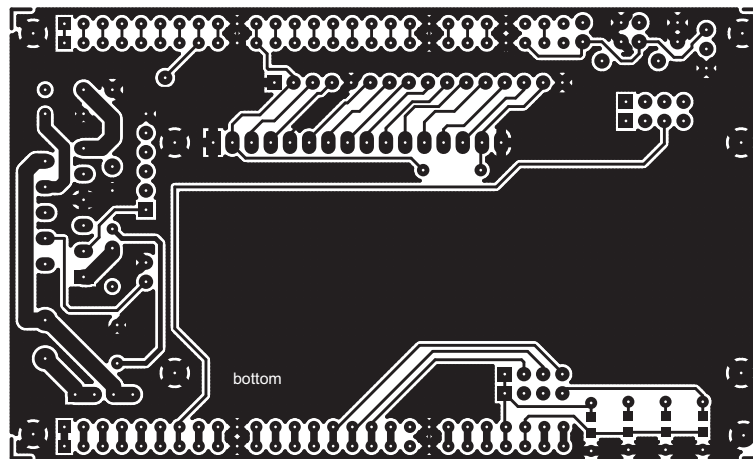
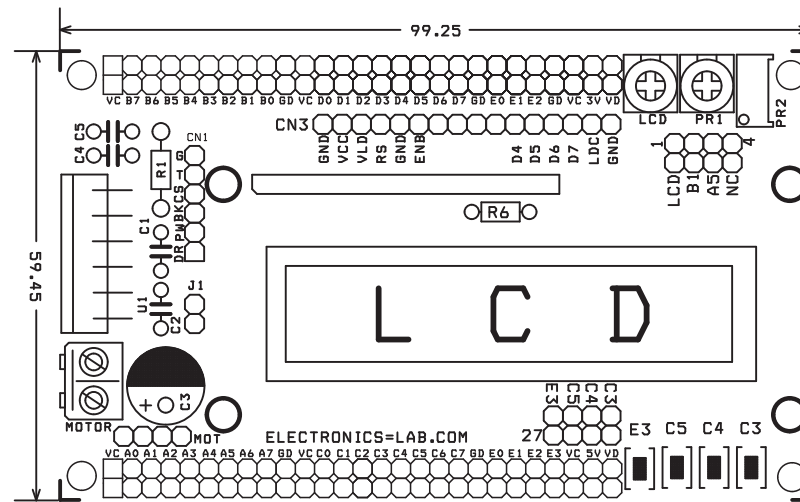
LCD is very important part of many DIY and industrial projects. The 16X2 LCD shield has been designed to develop LCD related projects using 28-40 Pin Pic development board or DS-pic development board published on www.electronic-lab.com website, along with LCD this shield has been provided with LMD18201 DC Motor driver , 2 Trimmer potentiometer and 4 tact switches with jumpers. Jumpers can be used to connect switches to pre decided port pins or remove jumpers and connect switches to any port pin using female to female wire harness, LCD pins and H-Bridge signal inputs are open ended male header connector can be hookup to any port pins with help of female to female wire harness. Very useful shield to develop timer, measurements, dc motor driver with display, DC motor pump controller, automatic irrigation system and many more projects are possible with this shield.

Features

- Supply 5V DC
- Motor Supply 12V to 36V DC
- Motor Load Up to 3A (6 Amp Peak)
- 4 Tact Switch Open End or Jumpers Interface
- On Board Trimmer Pot for LCD Brightness Adjust
- 2 Spare Trimmer Pots







BOM			
SR.	QNTY.	REF.	DESC.
1	1	CN1	6 PIN HEADER CONNECTOR
2	1	CN2	2 PIN SCREW TERMINAL
3	1	CN3	16 PIN HEADER CONNECTOR
4	2	C1,C4	0.1uF
5	2	C2,C5	0.01uF
6	1	C3	220uF/63V
7	1	DS1	LCD 16X2 WITH BACKLIGHT
8	9	J1,J2,J3,J4,J5,J6,J7,J8,J9	JUMPER WITH CLOSURE
9	1	MG1	4 PIN HEADER CONNECTOR
10	2	PR1,PR2	10K TRIMMER POT
11	1	PR3	10K PRESET TRIMMER POT
12	1	R1	2.7K
13	4	R2,R3,R4,R5	4K7
14	1	R6	22E
15	1	SW1	TACT SWITCH
16	1	SW2	TACT SWITCH
17	1	SW3	TACT SWITCH
18	1	SW4	TACT SWITCH
19	1	U1	28-40 PIN PIC & DS PIC SHIELD
20	1	U2	LMD18200

