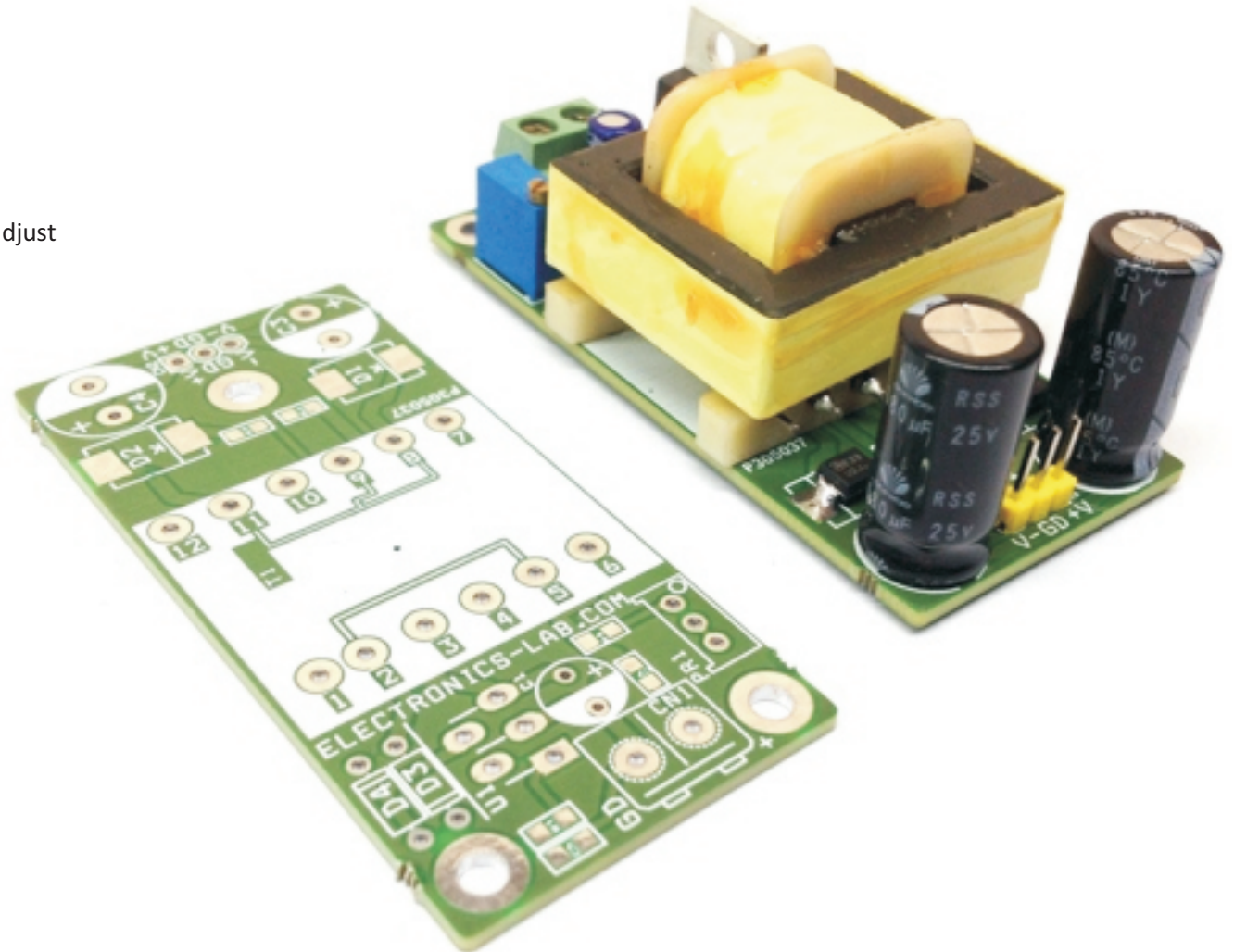
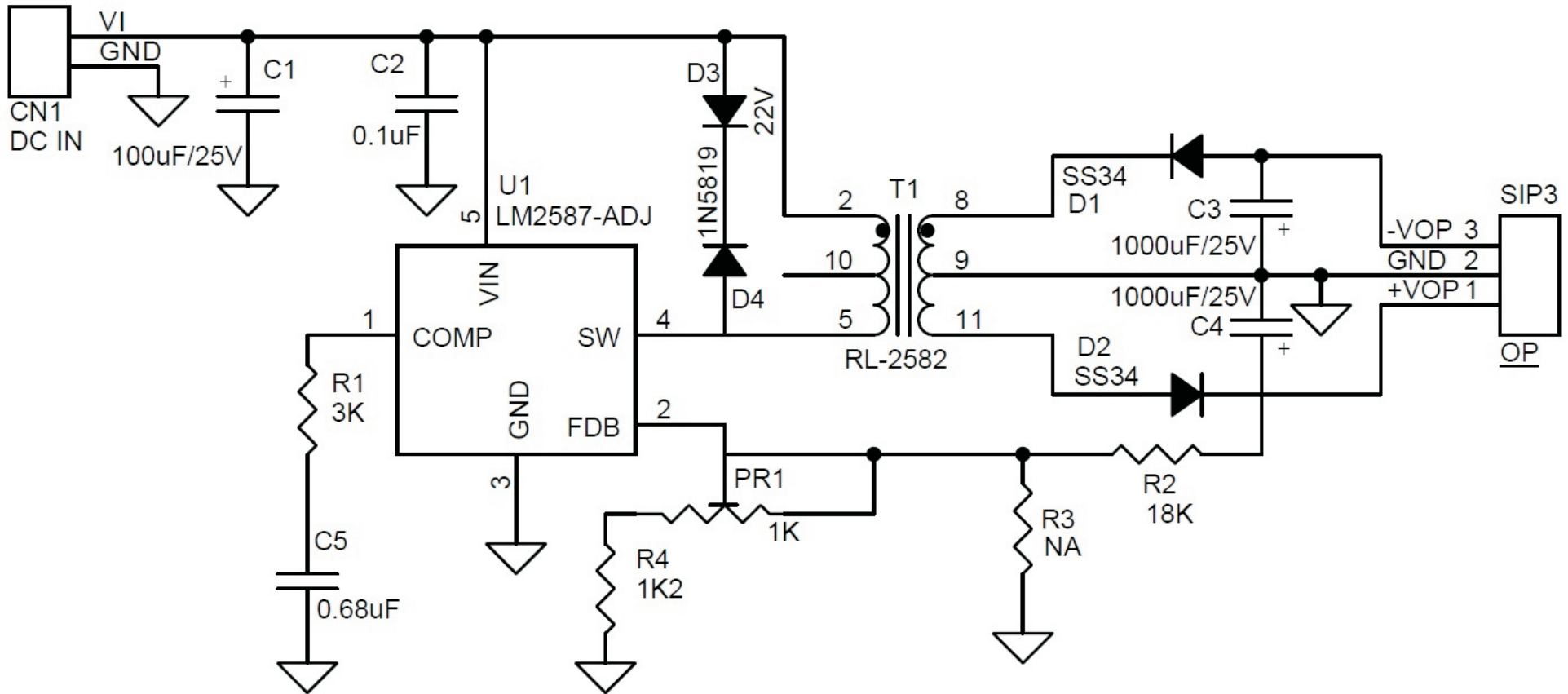


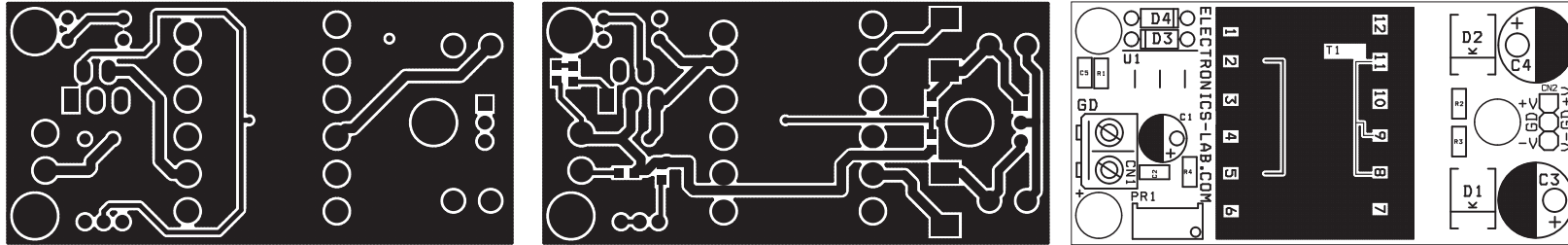
+/-15V 1A Dual output DC-DC converter is a tiny board built using Transformer from Renco and LM2587-ADJ IC from Texas instrument. Input supply 18-36V DC. The LM2587 regulators is monolithic integrated circuit specifically designed for fly back, step-up (boost), and forward converter applications. The power switch is a 5.0A NPN device that can stand-off 65V. Protecting the power switch are current and thermal limiting circuits, and an under voltage lockout circuit. This IC contains a 100 kHz fixed frequency internal oscillator that permits the use of small magnetics. Other features include soft start mode to reduce in-rush current during start up, current mode control for improved rejection of input voltage and output load transients and cycle-by-cycle current limiting. An output voltage tolerance of $\pm 4\%$, within specified input voltages and output load conditions, is ensured for the power supply system.

Features

- Supply Input 18-36V DC
- Output +/-15V DC, 1Amp
- On board trimmer potentiometer for Fine voltage adjust
- Operation Frequency 100 KHz







BOM			
SR.	QNTY.	REF.	DESC.
1	1	CN1	2 PIN SCREW TERMINAL
2	1	C1	100uF/25V
3	1	C2	0.1uF/SMD
4	2	C3,C4	1000/25V
5	1	C5	0.68uF SMD 0805
6	2	D1,D2	SS34 SMD DIODE VISHAY
7	1	D3	22V 1W ZZENER DIODE
8	1	D4	1N5819
9	1	OP	3 PIN HEADER CONNECTOR
10	1	PR1	1K
11	1	R1	3K SMD 0805
12	1	R2	18K SMD 0805
13	1	R3	Omit
14	1	R4	1K2 SMD 0805
15	1	T1	RL-2582 TRANSFORMER FROM RENCO
16	1	U1	LM2587-ADJ TO220 IC FROM TI