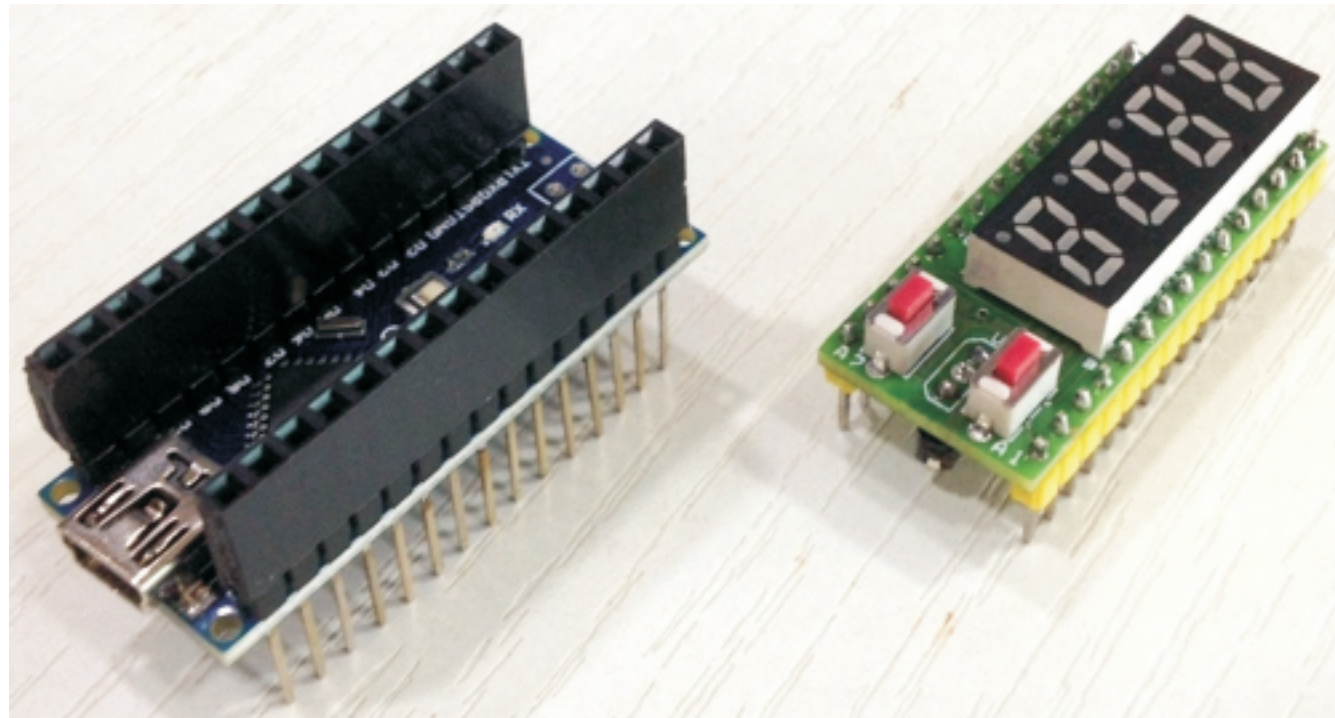


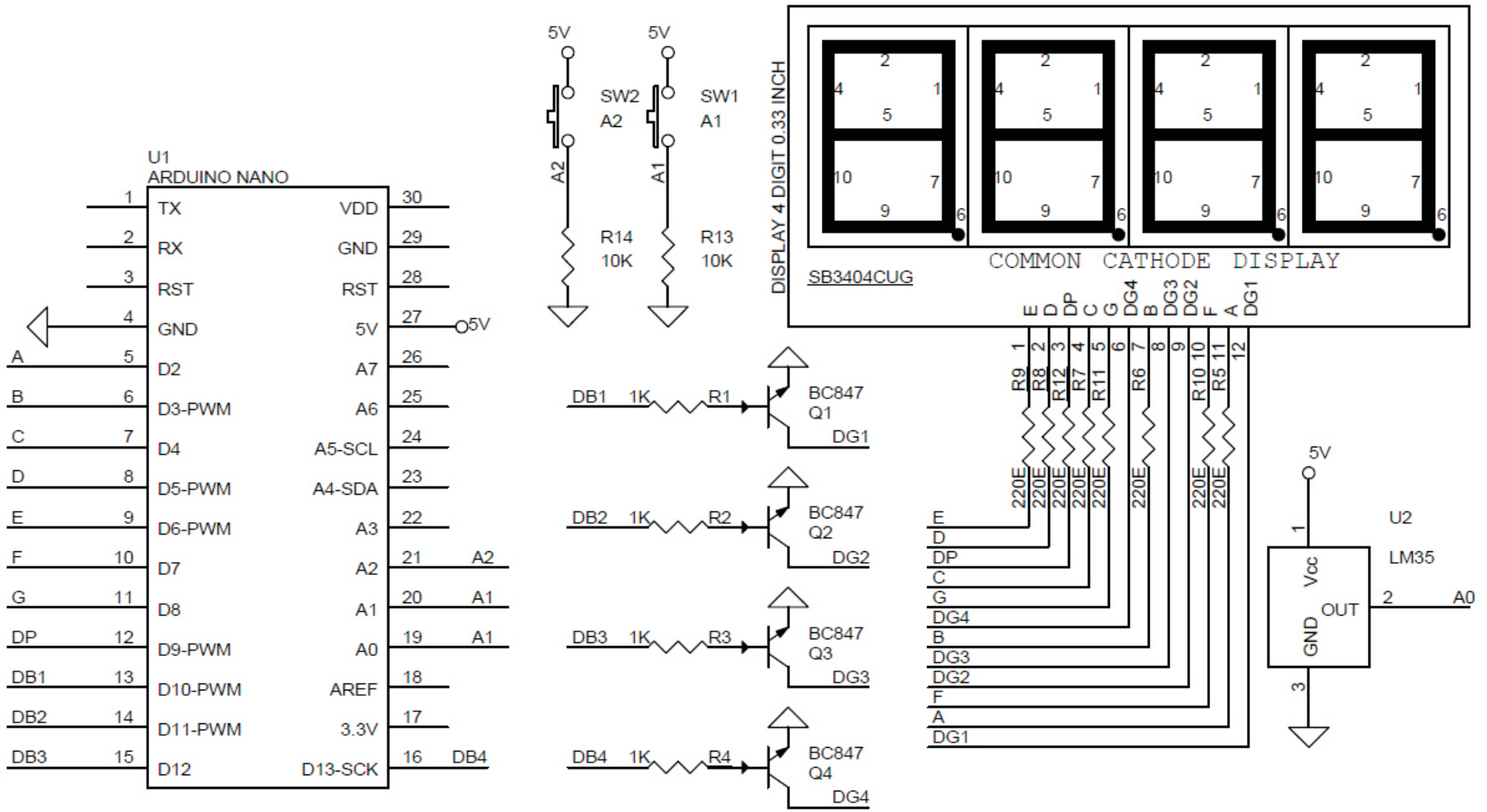
4 Digit Display Shield For Arduino Nano

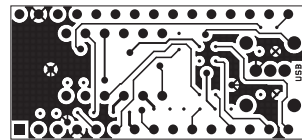
4 Digit Multiplexed display shield for Arduino Nano also included on board 2 tactile switches and LM35 temperature sensor. This shield helps you to develop many project required 4 digit display. Thermometer can be made using on board LM35 sensor. 7 Seven segment multiplexed display is tiny board has been designed around Common cathode 4 digit Display, Display has 12 Pins. The board is provided with current limiting resistors on all LED segments and 4 NPN Transistors to drive 4 digits. This tiny board directly seats on Arduino Nano. Nano analog pin A0 connected to LM35 sensor, A1 and A2 connected to Switch 1 and switch 2 with pull down resistors. Digital pin D2-D8 connected to displays segment A-F, Digital pin D9 connected to DP of display, D10-D12 pins are associated to Digit 1-4.

Features

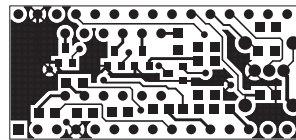
- Supply 5V DC
- 4 Digit 0.3 Inch Common Cathode 7 segment display
- On board 2 Tact switch
- On Board Female Connector to install LM35 Temperature sensor LM35



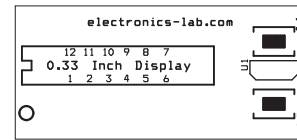




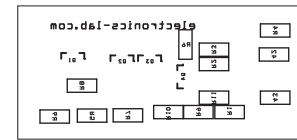
TOP



BOTTOM



SILK SCREEN TOP



SILK SCREEN BOTTOM

BOM			
SR.	QNTY.	REF.	DESC.
1	4	Q1,Q2,Q3,Q4	BC847 SMD
2	4	R1,R2,R3,R4	1K SMD 0805
3	8	R5,R6,R7,R8,R9,R10,R11,R12	220E SMD 0805
4	2	R13,R14	10K SMD 0805
5	1	SB3404CUG	DISPLAY 4 DIGIT 0.3 INCH
6	1	SW1	TACT SWITCH
7	1	SW2	TACT SWITCH
8	1	U1	ARDUINO NANO
9	1	U2	LM35 TO92

