

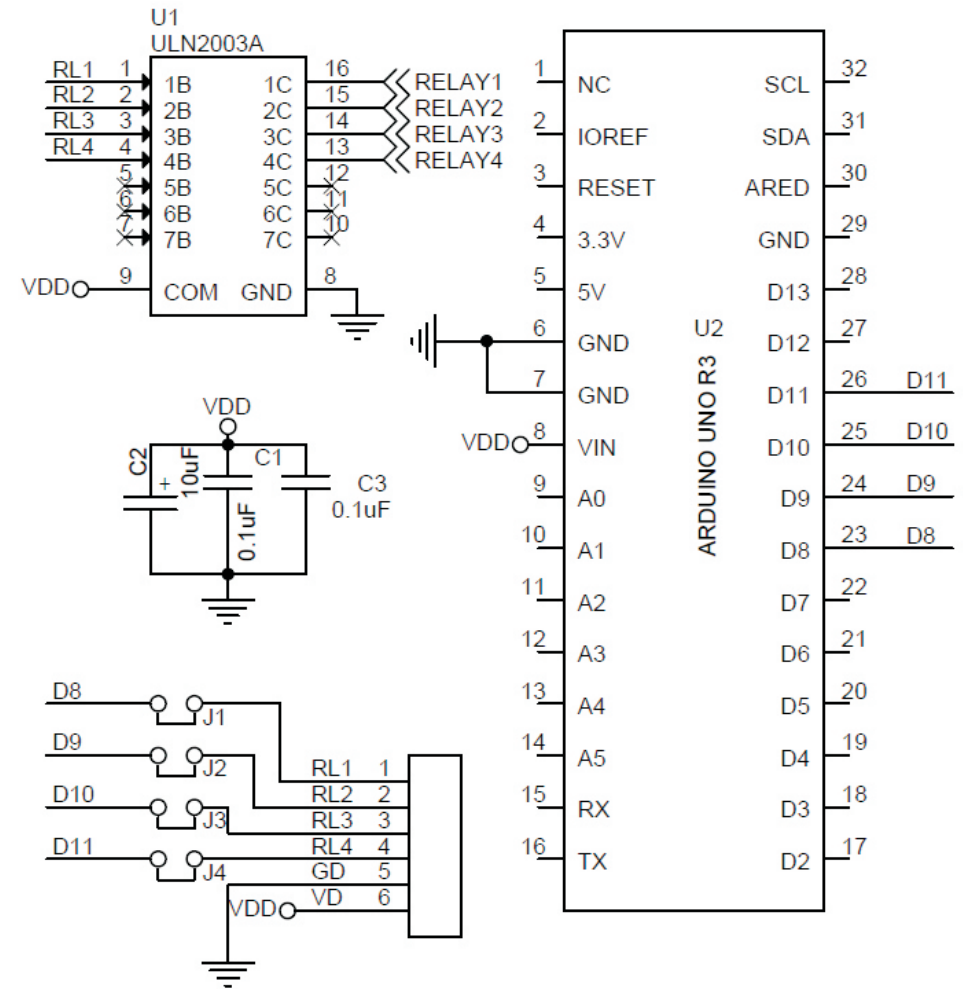
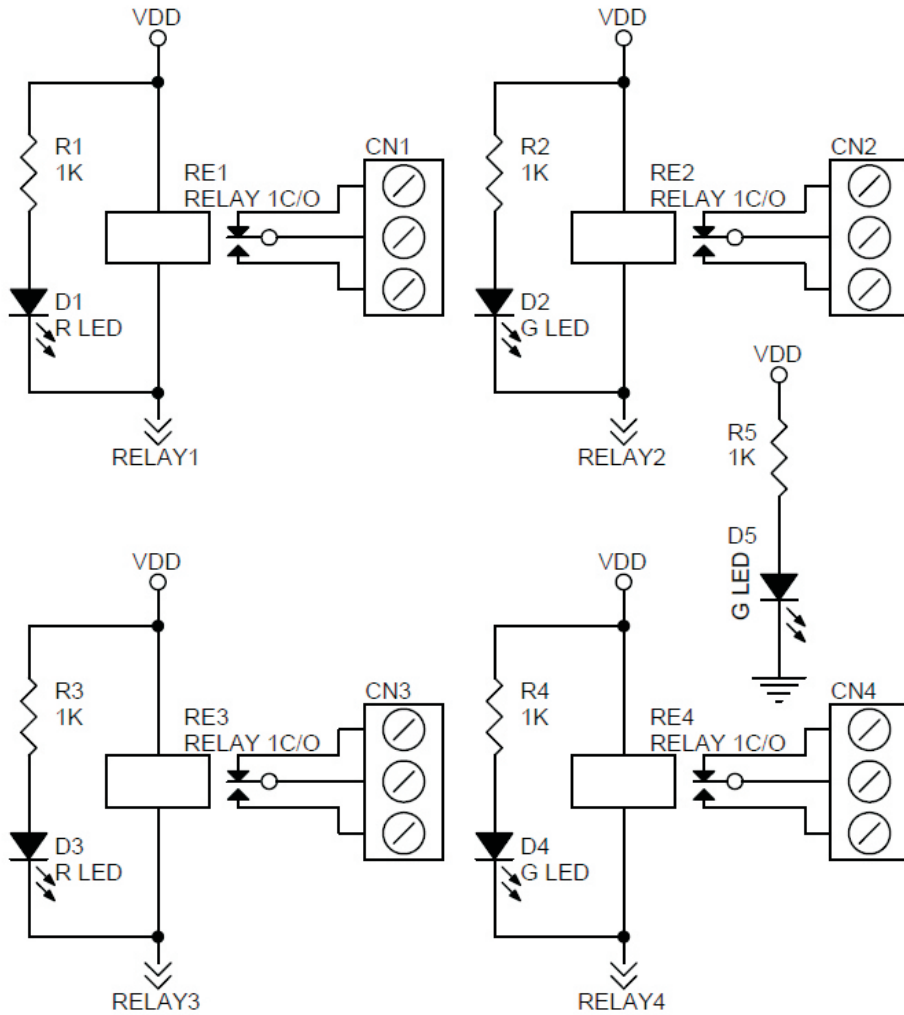
4 Channel Relay Shield for Arduino Uno

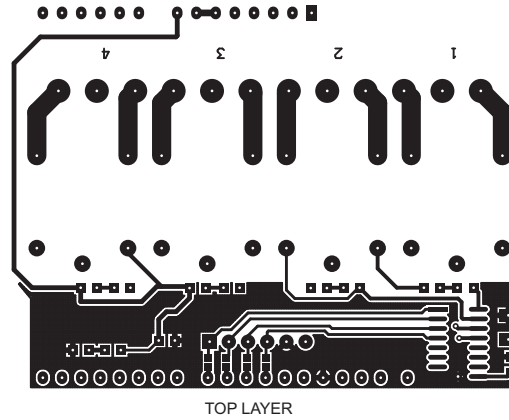
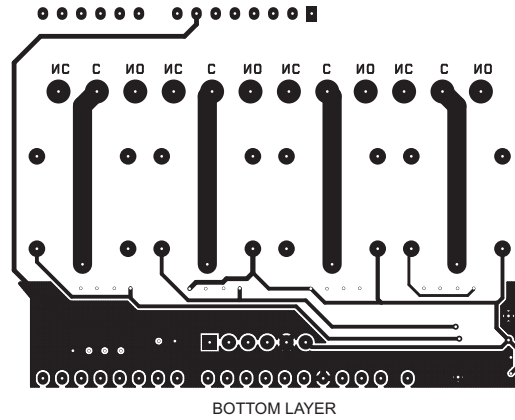
4 Channel Relay Shield for Arduino UNO is a simple and convenient way to interface 4 relays for switching application in your project. Very compact design can fit on top of Arduino UNO, Board required 12V DC supply, all 4 trigger inputs required TTL signal, Relay-1 to Relay-4 inputs connected to D8 To D11 of Arduino digital pins through solder jumpers J1 To J4. All trigger inputs can be connected to other I/O pins of Arduino using female header connectors, open solder jumpers J1-J4 in this case. D1, D2, D3, D4 LEDs provided to indicate the Relay ON/OFF status. D5 Power LED. Each relay has 3 pin screw terminals with normally open/normally closed switch to connect the load. Project is ideally to use for low voltage applications required extra care In case of using high voltage AC switching applications.

Features

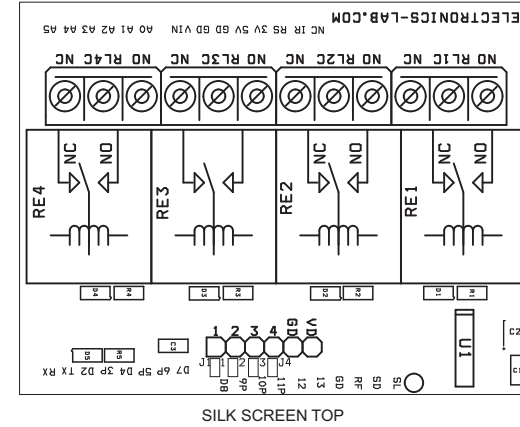
- Input supply 12 VDC @ 170 mA (Arduino DC Jack)
- Output four SPDT relay
- Relay specification 7A/24V DC-230V AC
- Trigger level 2 ~ 5 VDC
- Header Connector for connecting power and trigger voltage
- Solder Jumpers J1, J2, J3, J4 Interface Arduino Pins D8, D9, D10, D11
- LED on each channel indicates relay status
- Power Battery Terminal (PBT) for easy relay output
- PCB Dimensions 68.37MM x 51.91 MM







PCB DIMENSIONS 68.37MM X 51.91



BOM			
SR.	QNTY.	REF.	DESC.
1	4	CN1,CN2,CN3,CN4	3 PIN HEADER CONNECTOR
2	1	CN7	6 PIN HEADER CONNECTOR
3	2	C1,C3	0.1uF SMD 0805
4	1	C2	10uF 25V SMD 1210
5	2	D1,D3	R LED SMD 0805
6	3	D2,D4,D5	G LED SMD 0805
7	4	J1,J2,J3,J4	SOLDER JUMPER
8	4	RE1,RE2,RE3,RE4	12V SUGER CUBE RELAY
9	5	R1,R2,R3,R4,R5	1K SMD 0805
10	1	U1	ULN2003A SMD
11	1	U2	ARDUINO UNO SHIELD