

## 2 LIPO Battery to 12V and 5V Converter

The board provides 12V/200mA DC output and 1.2V to 6V/500mA DC Adjustable with input of 7.4V 2X LIPO battery. The board contains step up DC-DC Convert CS5171 and LM317 adjustable regulator. Step up DC-DC converter provides 12V DC from 7.4V ( 2X LIPO battery), LM317 provides 1.2V to 6V Adjustable Output. Tiny board directly can fit at back of the 2 X LIPP CR18650 battery holder using 2xM3 screws. Trimmer potentiometer P1 provided to adjust the V2 1.2V to 6V DC. BT1 LIPO Battery , CN1 12V Output, CN2 1.2V 6V Output.

### Features

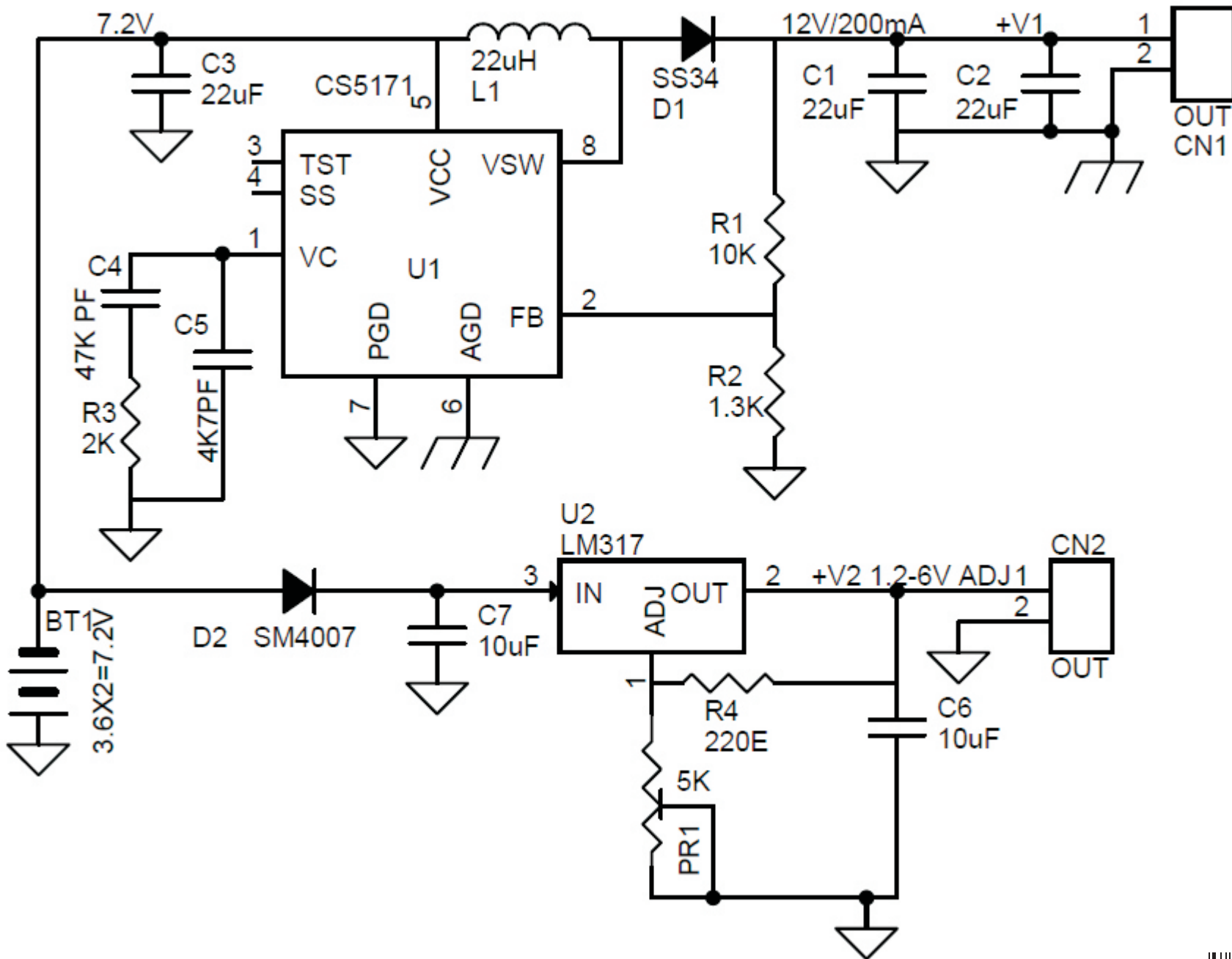
Input Supply 2X LIPO battery CR18650 (7.4V)

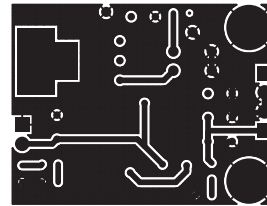
Output -1 12V DC 200mA

Output -2 1.2V to 6V DC (5V DC)

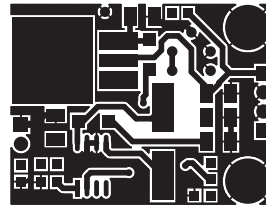
PCB Dimensions 35.17mm X 26.95mm





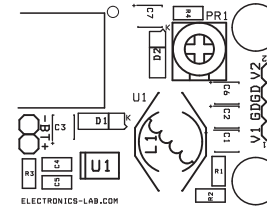


BOTTOM LAYER

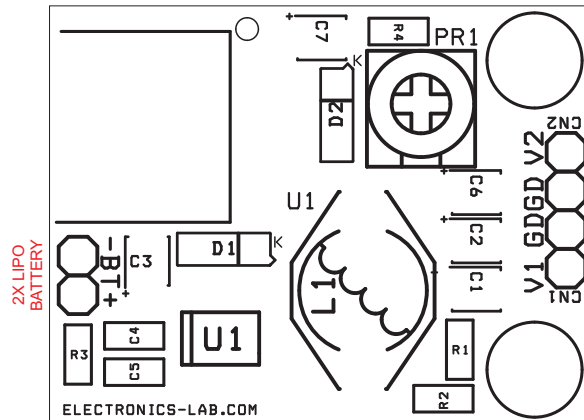


TOP LAYER

PCB Dimensions 35.17mm X 26.95mm



SILK SCREEN TOP



1.2V-6V ADJUSTABLE

GND

GND

12V OUTPUT

BOM			
SR.	QNTY.	REF.	DESC.
1	1	BT1	2X LIPO BATTERY HOLDER
2	2	CN1,CN2	2 PIN HEADER CONNECTOR
3	3	C1,C2,C3	22uF/16V SMD 1210
4	1	C4	47K PF SMD 0805
5	1	C5	4K7PF SMD 0805
6	2	C6,C7	10uF/16V SMD 1210
7	1	D1	SS34 SMD DIODE
8	1	D2	SM4007 SMD
9	1	L1	22uH / 12MM 1AMP INDUCTOR
10	1	PR1	5K TRIMMER POT
11	1	R1	10K SMD 0805
12	1	R2	1.3K SMD 0805
13	1	R3	2K SMD 0805
14	1	R4	220E SMD 0805
15	1	U1	CS5171 SO8
16	1	U2	LM317 DPAK