

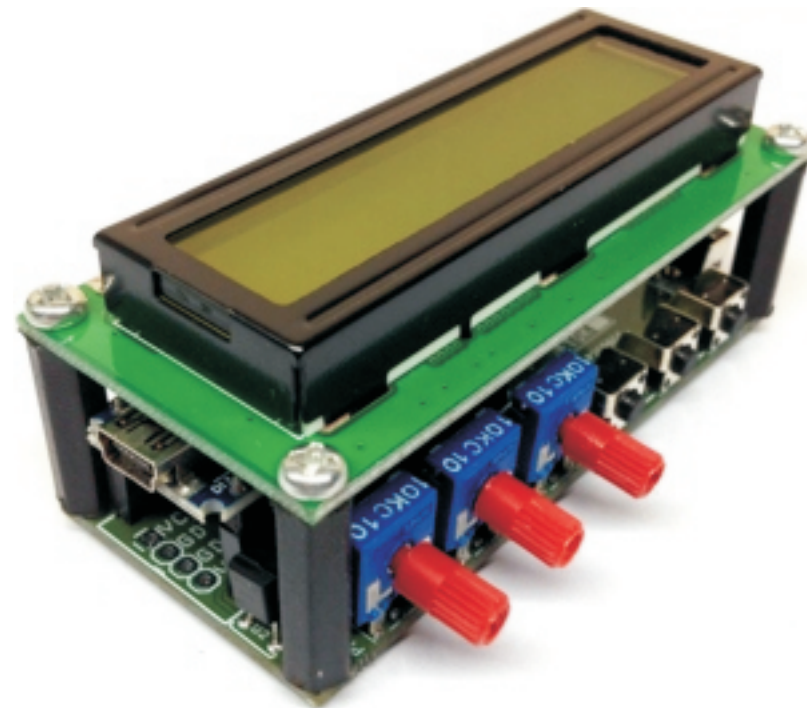
## LCD Shield Arduino Nano

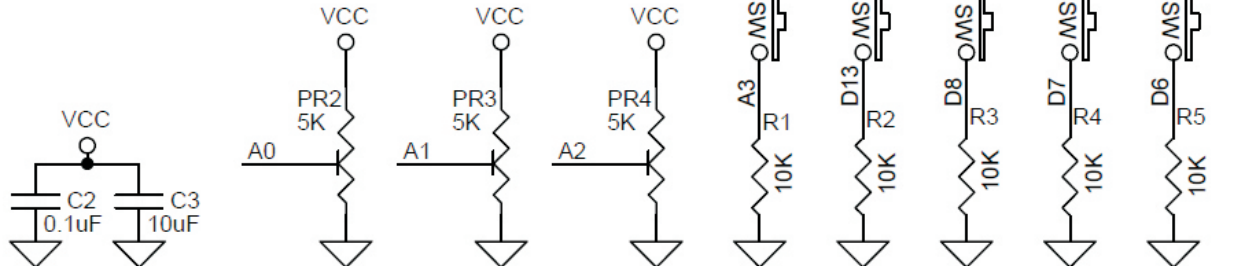
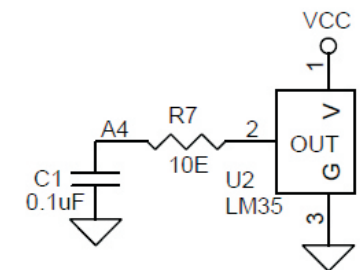
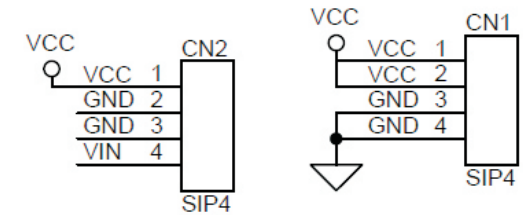
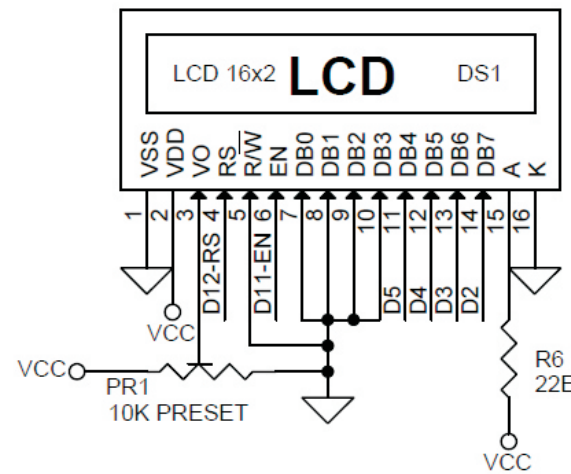
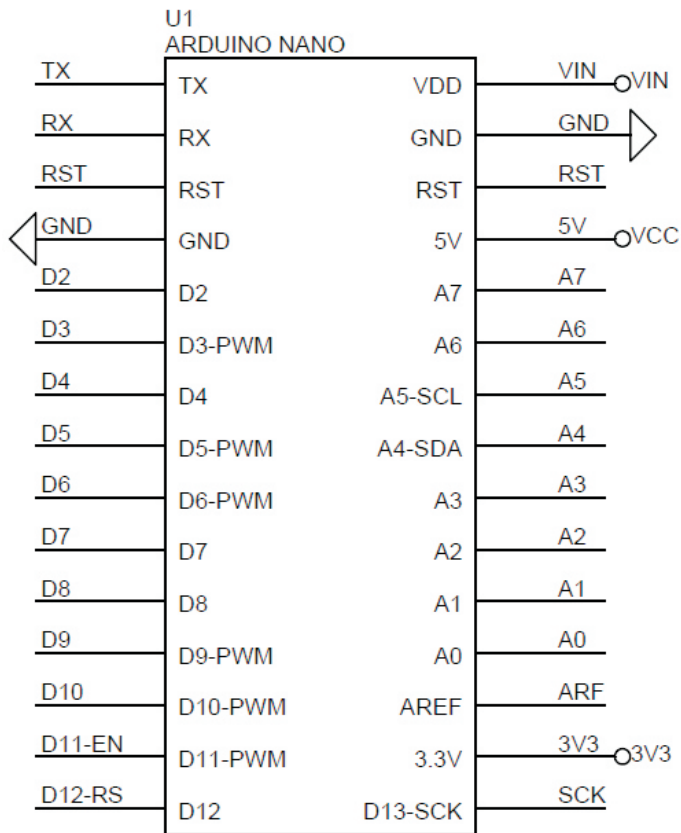
The LCD shield for Arduino Nano includes various devices 5 Tactile Switches 3 Trimmer Potentiometers LM35 Temperature sensor and 16X2 LCD. Compact shield designed to fit in small enclosure intendant to develop measuring devices like thermometer, voltmeter, timer, up down counters and other various project required LCD, switches, trimmer pots. Trimmer pot can be replaced with header connector to connect sensor.

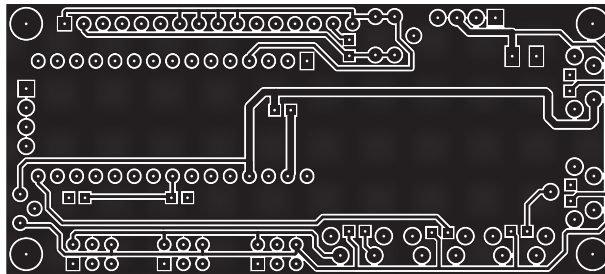
**Note :** Trimmer Potentiometer can be replaced with Header connector to interface various sensor.

### Features

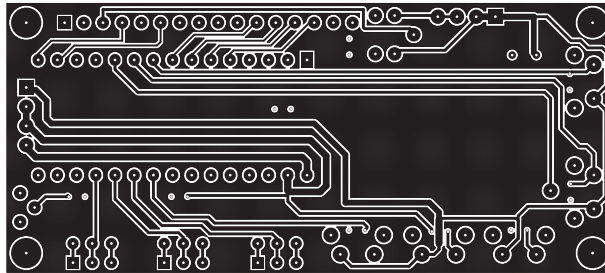
- Supply 7-12V DC
- 16X2 LCD
- 5 Vertical Mounted Push Switch
- 3 X 5K Ohms Trimmer Potentiometer
- LM35 Temperature Sensor
- LCD Connected to D2,D3,D4,D5,D11,D12
- LM35 Temperature Sensor Connected Analog- A4 of Arduino
- Trimmer Potentiometer Connected to Analog Pin A0,A1,A2
- Push Switch Connected to A4, D13, D8, D7, D6
- PR1 Trimmer Potentiometer To Adjust The LCD Contrast



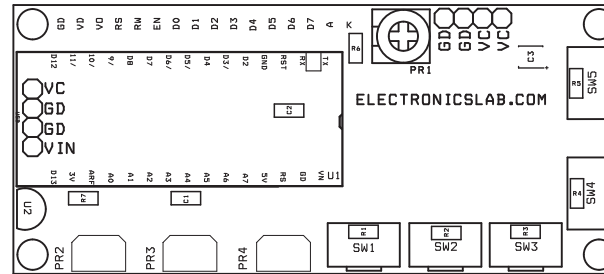




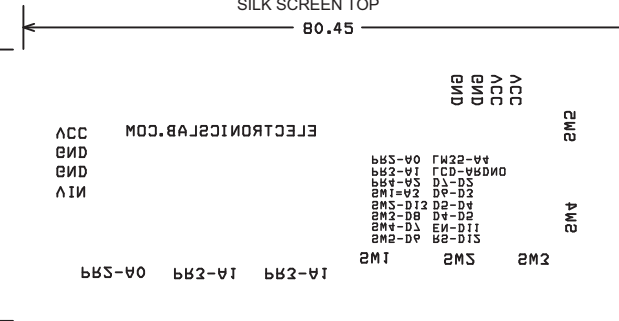
TOP LAYER



BOTTOM LAYER



SILK SCREEN TOP



SILK SCREEN BOTTOM

| BOM |       |                     |                                |
|-----|-------|---------------------|--------------------------------|
| SR. | QNTY. | REF.                | DESC.                          |
| 1   | 2     | CN1,CN2             | 4 PIN MALE HEADER CONNECTOR    |
| 2   | 2     | C1,C2               | 0.1uF SMD 0805                 |
| 3   | 1     | C3                  | 10uF 16V SMD 1210              |
| 4   | 1     | DS1                 | LCD 16x2                       |
| 5   | 1     | PR1                 | 10K PRESET                     |
| 6   | 3     | PR2,PR3,PR4         | 5K OR 10K VERTICAL TRIMMER POT |
| 7   | 5     | R1,R2,R3,R4,R5      | 10K SMD 0805                   |
| 8   | 1     | R6                  | 22E SMD 0805                   |
| 9   | 1     | R7                  | 10E SMD 0805                   |
| 10  | 5     | SW1,SW2,SW3,SW4,SW5 | VERTICAL TACT SWITCH           |
| 11  | 1     | U1                  | ARDUINO NANO FEMALE CONNECTOR  |
| 12  | 1     | U2                  | LM35 TO92                      |

