

Name: Aleš Vinko

Contact: ales.vinko@gmail.com

Introduction :

Attention: This Circuit is using 230V that is lethal. Please take appropriate precautions

I needed a pulsating light for a certain signalling. Voltage was 230V.

So I decided to make a simple circuit, consisted of a LED diode, two capacitors, two resistors, a diac and a diode.

Description:

Activity of the circuit is extraordinarily simple. The capacitor charges by the diode and the resistor. When the voltage on the capacitor achieves 30V the diac “releases“ the *electrical tension* and the capacitor empties through the diac, LED blinks.

Time base is dependent from the capacitor and the resistor, which is in series with diode 1N4007.
Capacitor must be at least for 40V.

Schematic: Parts can be seen on the schematic.

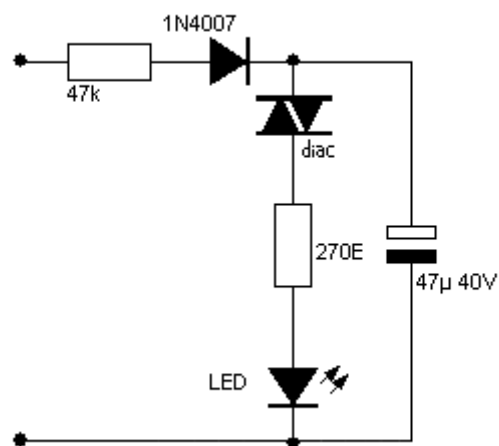


Photo: My “compact” way to solder it.

