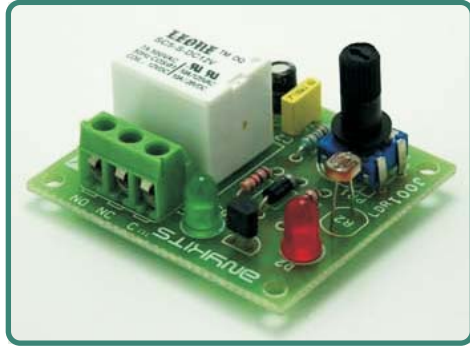


DARK SENSITIVE SWITCH

Author Rajkumar Sharma

BUILD SMARTER
e-circuits



ANYKITS™

electronics DIY kits

sales@anykits.com

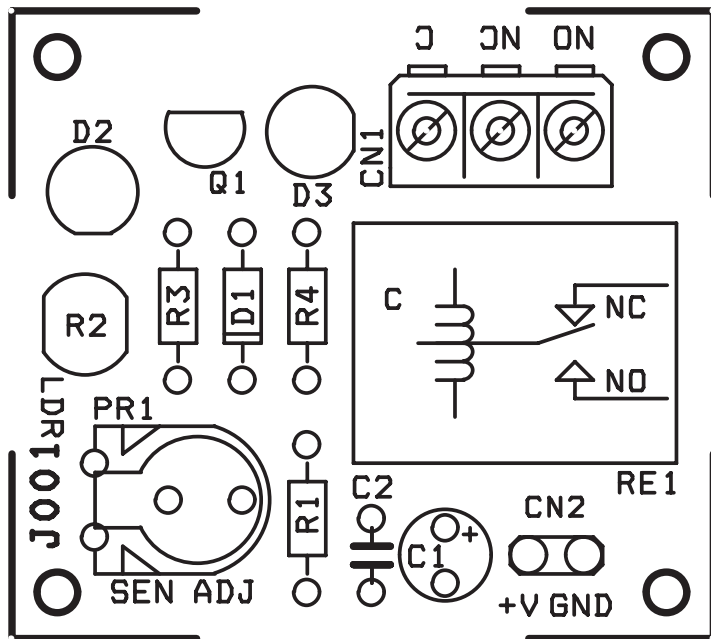
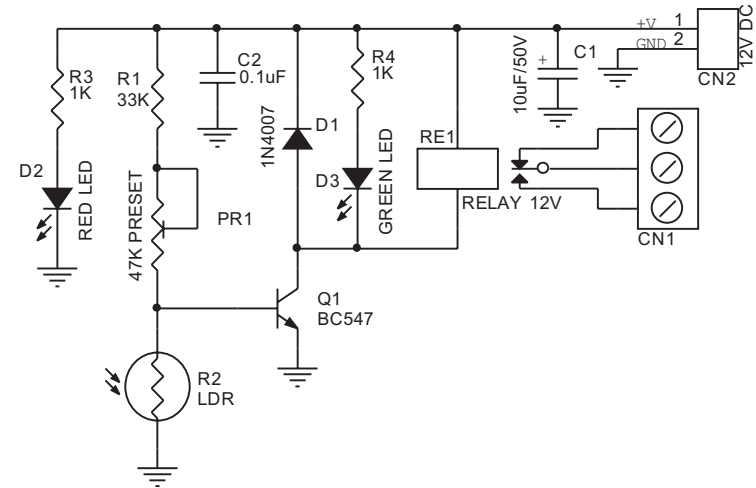


www.anykits.com

DARK SENSITIVE SWITCH

A versatile dark sensitive switch useful in science fair projects. When there is a dark detector will switch on the off Relay. NO/NC relay can be use as switch. Circuits work with 12V DC, 55mA. (RELAY ON) standby current 15mA. Sensitivity is adjustable. PCB dimensions 44X49MM.

- CN2 Supply in 12V DC
- CN1 NO/NC 24V 5Amps. Relay output
- LDR Light Sensor



SR.	QTY.	REF.	DESCRIPTION
1	1	CN1	3 PIN PBT CONNECTOR
2	1	CN2	2 PCB PIN
3	1	C1	10uF/50V
4	1	C2	0.1uF
5	1	D1	1N4007
6	1	D2	RED LED
7	1	D3	GREEN LED
8	1	PR1	47K PRESET
9	1	Q1	BC547
10	1	RE1	RELAY 12V
11	1	R1	33K
12	1	R2	LDR
13	2	R3,R4	1K