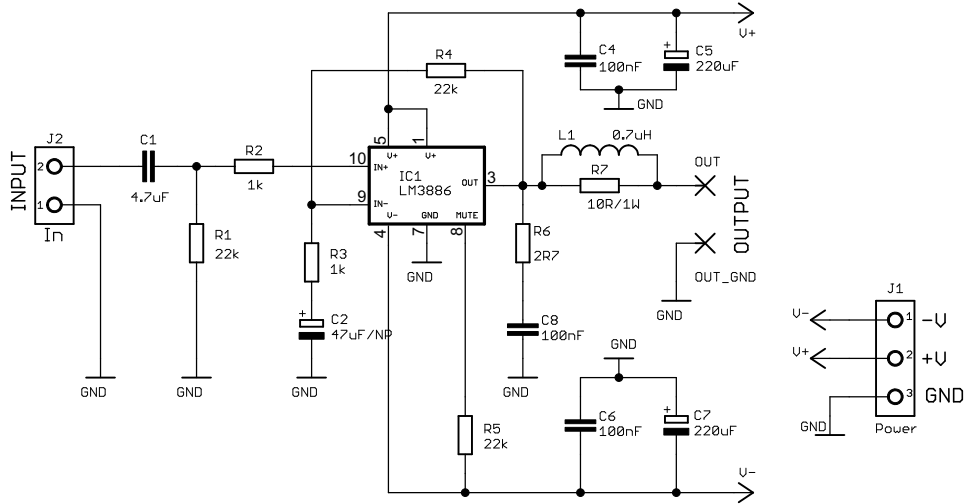


POWER AMPLIFIER WITH LM3886



DIYfan.blogspot.com