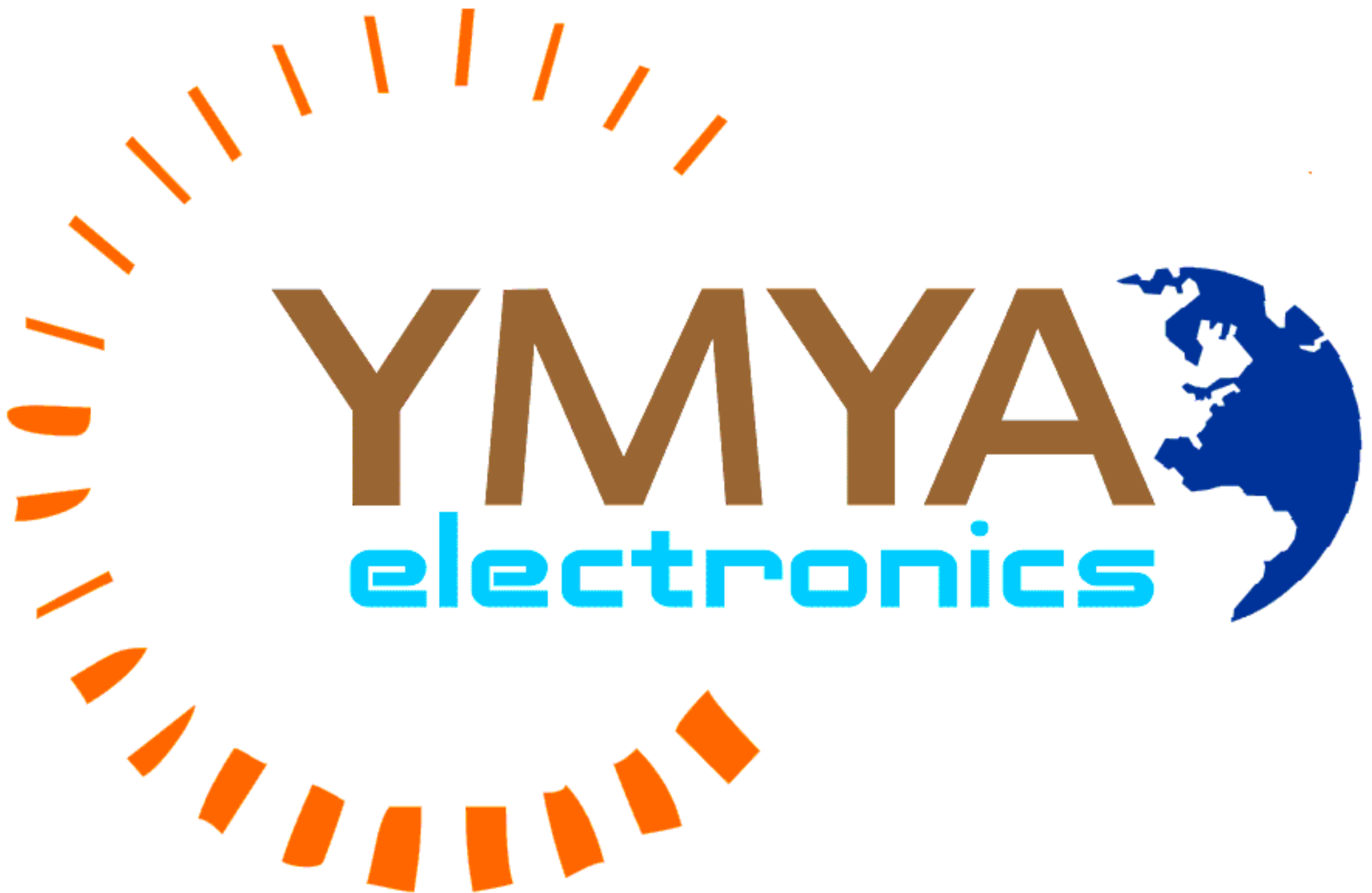


...: SIMPLE TOUCH SWITCH ...

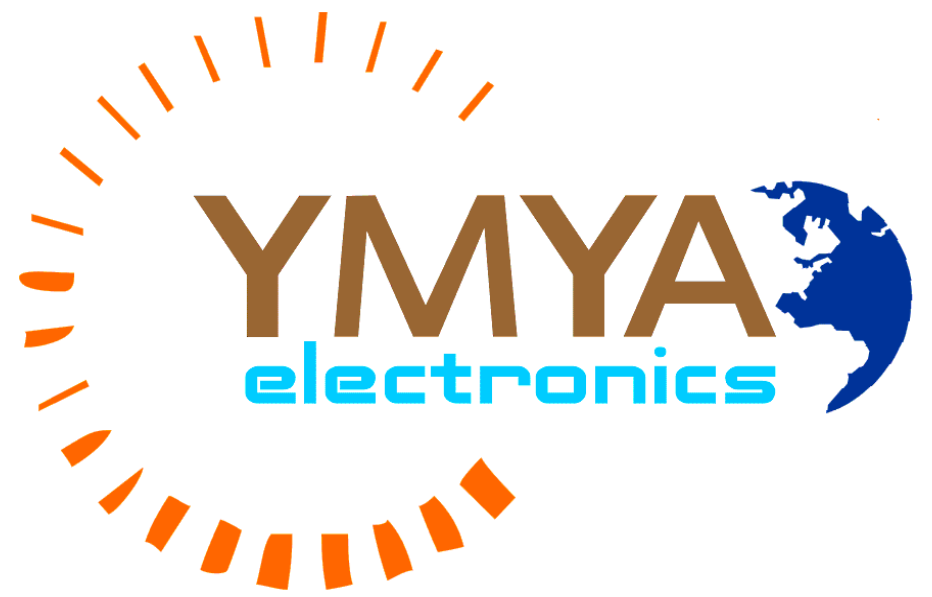
Author : **IZHAR FAREED**



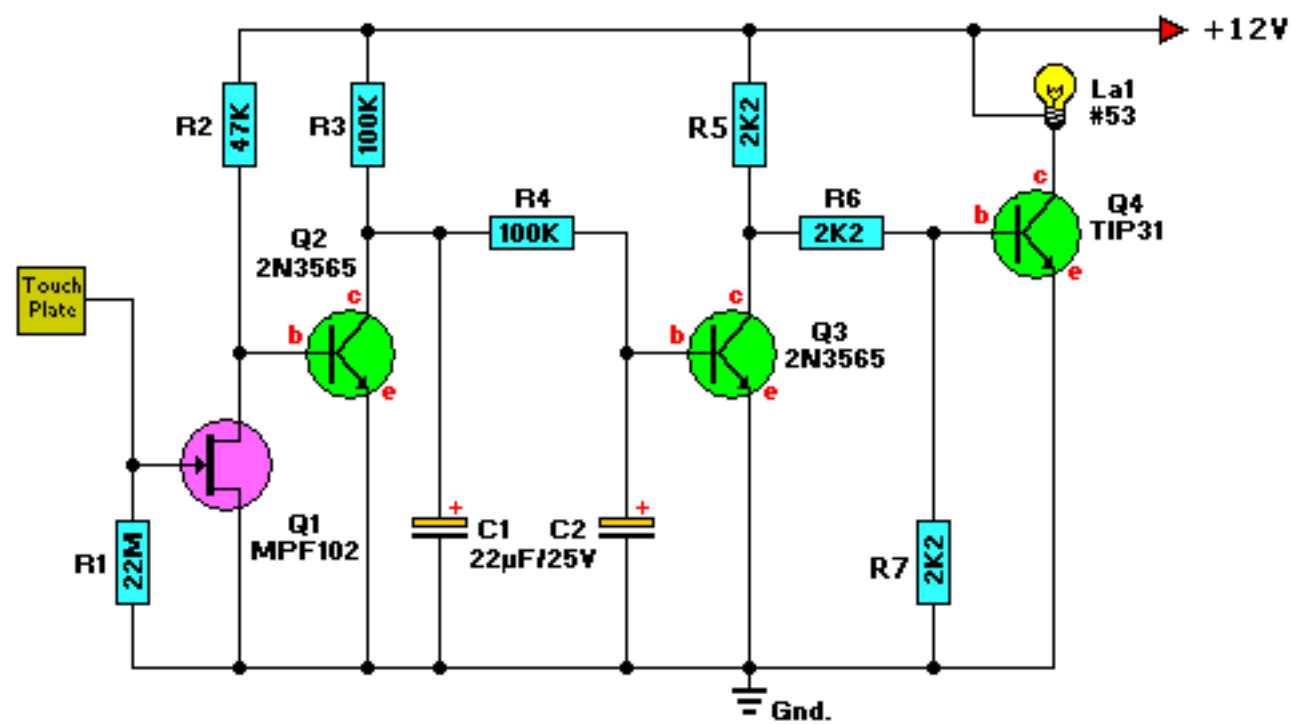
izhar@gmx.com / izhar@gmx.us

...: SIMPLE TOUCH SWITCH ...:

Author : *IZHAR FAREED*



...: CIRCUIT DIAGRAM ...:



...: PARTS and NOTES ...:

R1	22Meg resistor
R2	47K resistor
R3,R4	100K resistor
R5,R6,R7	2K2 resistor
C1	Capacitor, 22µF, 25V
C2	Capacitor, 22µF, 25V
Q1	MPF102
Q2,Q3	2N3565
Q4	TIP31
La1	Bulb, #53

Couple Notes:

- The MPF102 (Q1) can be replaced with a NTE451 or ECG451, but still widely available. JFET-N-CHAN, UHF/VHF AMP
- The 2N3565 (Q1/Q2) can be replace with a 2N2222(A), BC107, BC108, BC109(A/B/C), NTE123A, or ECG123A.
- The TIP31 (Q3) can be replaced with a NTE196 or ECG196, but is a common type and widely available. NO suffix.

The 'Touch Plate' can be anything non corrosive. I use a silver quarter.

You can also use a small relay instead of the #53 bulb.

The phone number for DigiKey is 1-800-Digi-Key.