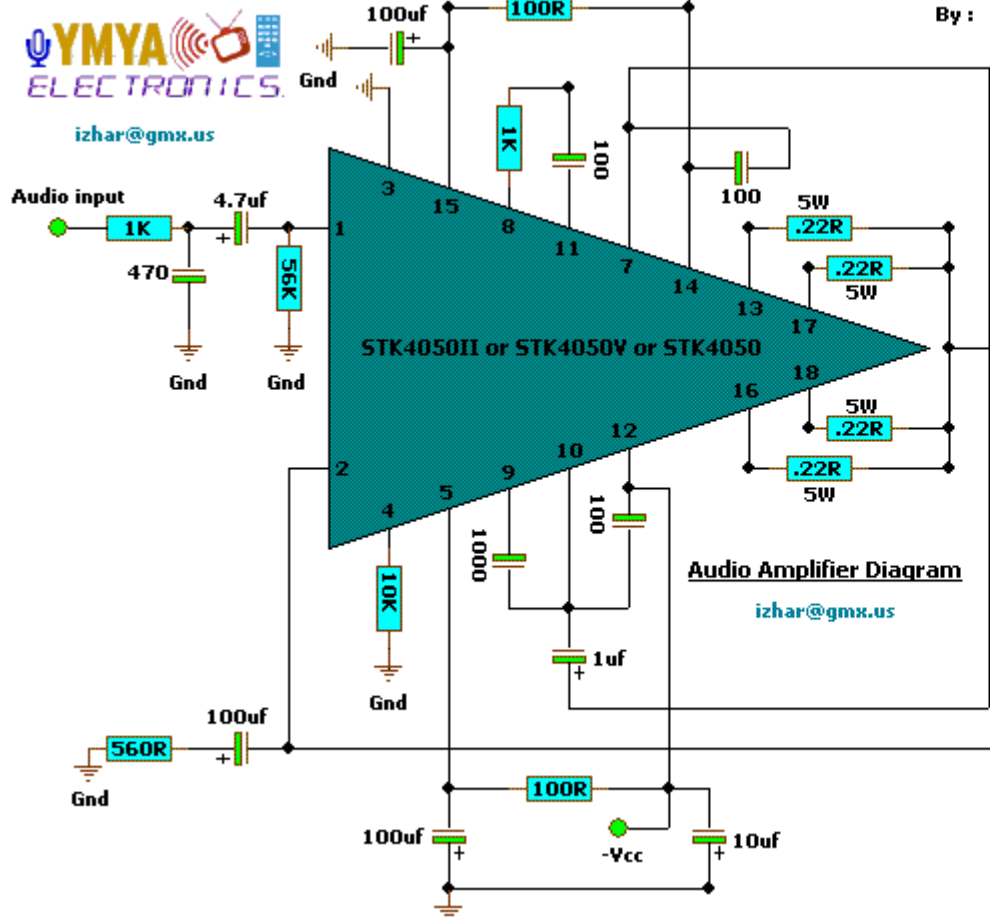


200Watt Audio Amplifier

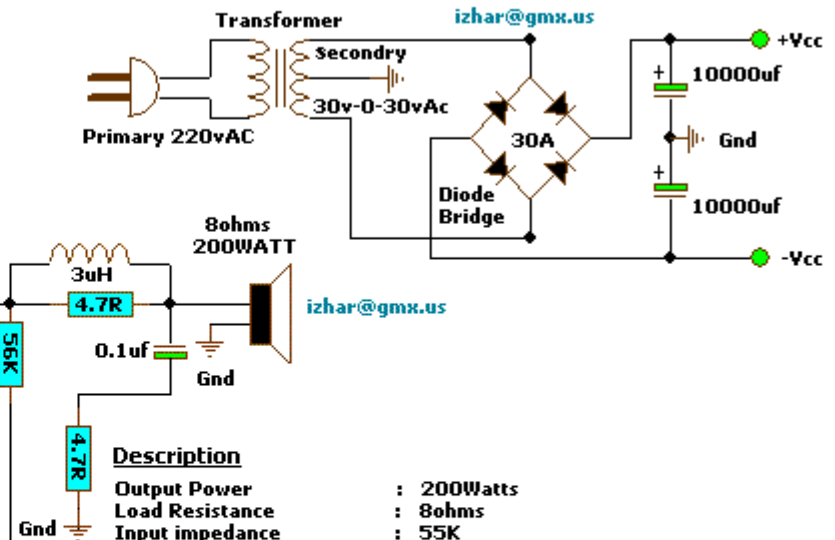
By : izhar@gmx.us



Audio Amplifier Diagram

izhar@gmx.us

Power Supply Diagram



Description

Output Power : 200Watts
 Load Resistance : 8ohms
 Input impedance : 55K
 Maximum supply voltage : (+95v)-0-(-95v)
 Recommended supply voltage : (+66v)-0-(-66v)

This complete high quality, low noise mono audio power amplifier is based around the Hybrid Integrated Circuit STK4050 manufactured by Sanyo. The circuit incorporates volume and has a maximum music output power of 200W. The circuit incorporates an on board power supply; therefore, only centre tapped transformer is required to power the circuit. It has very good quality sound. You can use it with your Home Theatre your PC & etc... You can also use it as Subwoofer Amplifier. It is a compact package for THIN-TYPE Audio sets. Easy Heatsink design to disperse heat generated in THIN-TYPE audio sets. Constant-Current circuit to Reduce supply switch-ON and switch-OFF shock noise. External supply switch-ON and switch-OFF shock noise muting, Load short-circuit protection, thermal shutdown and other circuits can be tailored-designed.



izhar@gmx.us