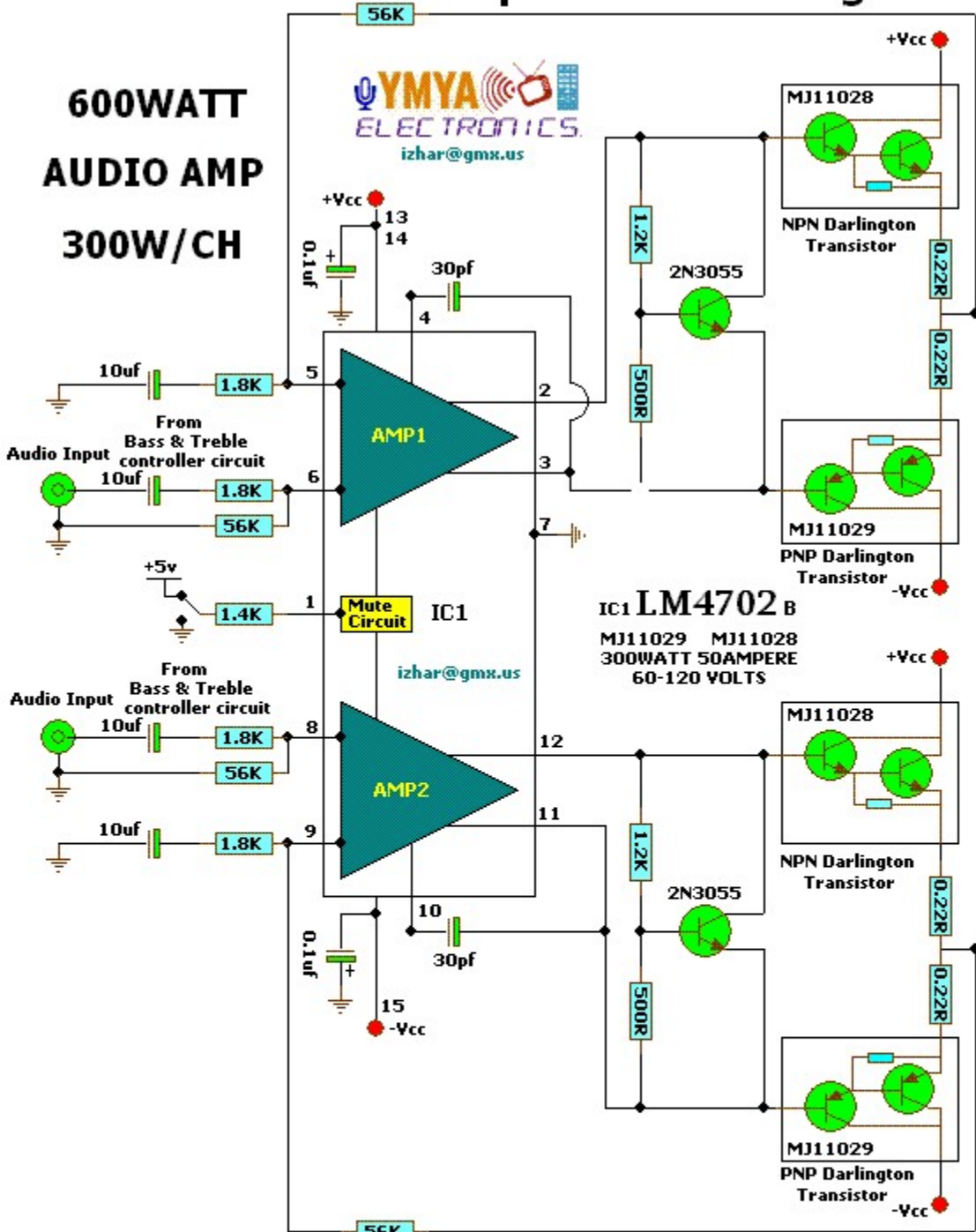


Amplifier circuit diagram

**600WATT
AUDIO AMP
300W/CH**



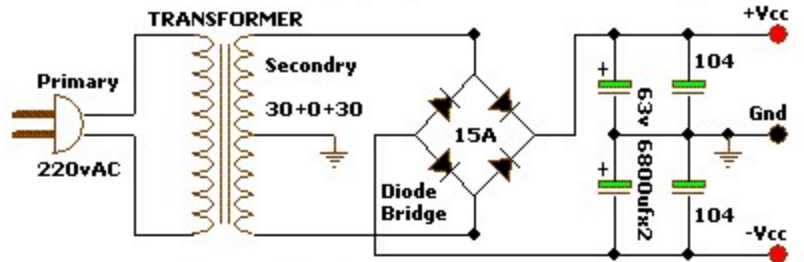
You can use one of the following Bass & Treble control circuit shown above in the circuit diagram. {{{ izhar@gmx.us}}}

POWER :
 Maximum Output power @ 8ohms : 300watt/CH
 Absolute max power supply voltage : ±38V to ±40V
 Recommended power supply voltage : ±30V to ±35V

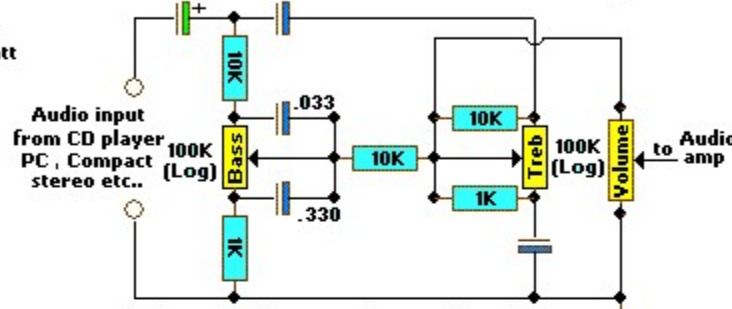
GENERAL DISCRPTION :

The circuit is based around {LM4702} manufactured by NATIONAL semiconductors & {MJ11029-MJ11028} by ON semiconductors. It is a high fidelity audio power amplifier. Designed for demanding consumer and pro-audio applications. You can also use this circuit with AV receivers, Audiophile power amps, Pro Audio High voltage industrial applications etc. Amplifier output power may be scaled by changing the supply voltage and number of output devices. The circuit includes thermal shutdown circuitry that activates when the die temperature exceeds 150°C. CIRCUIT's mute function, when activated, mutes the input drive signal and forces the amplifier output to a quiescent state.

Power supply circuit diagram



Bass & Treble control circuit diagram

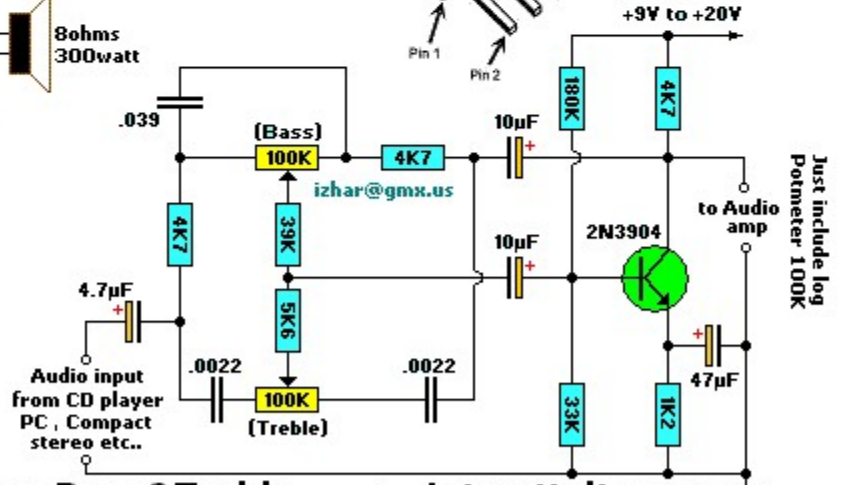
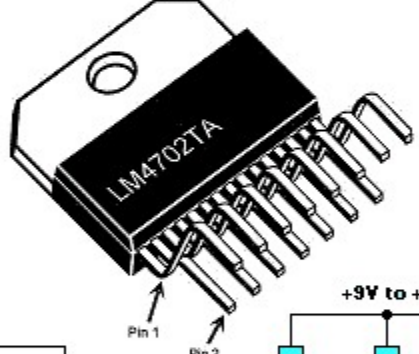


This circuit diagram is for one channel. If two channels required so build it two times.

MJ11028-29
Steel package



LM4702
Plastic package



Active Bass & Treble control circuit diagram

Just include log Potmeter 100K