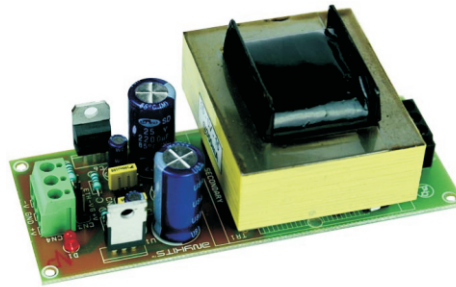


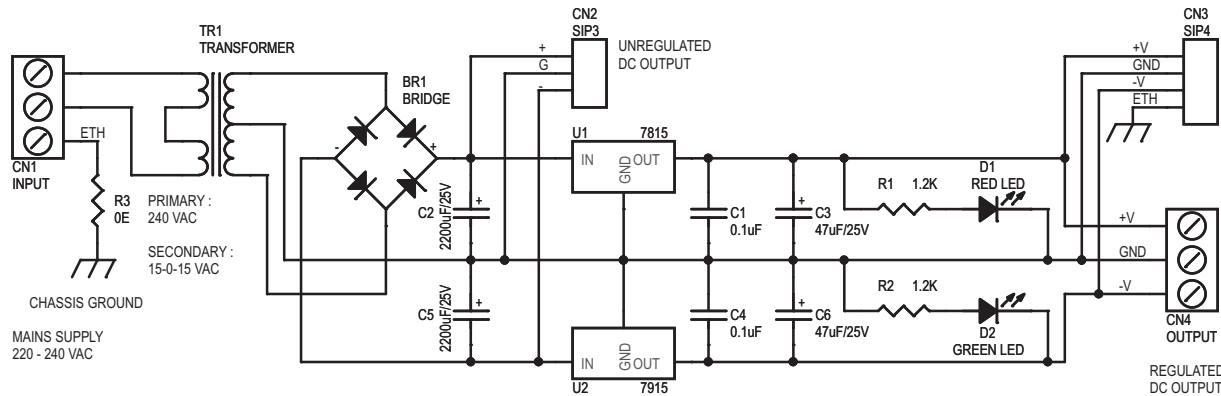
+/-15V, 350MA DUAL REGULATED POWER SUPPLY MODULE - INPUT 240 VAC

Symmetric 15 VDC power supply been designed for audio applications, can power up microphone pre-amplifier, audio buffers, audio mixer, distributions amplifier, headphone amplifier, VU meter and lots of other op-amp based projects.

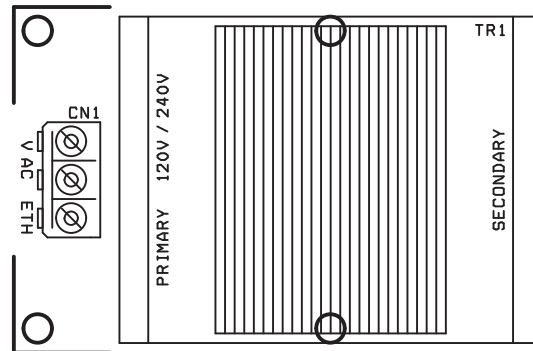
- Mains supply input 240 VAC
- Output +/- 15 VDC Dual, 350 mA
- Regulated Low ripple DC output
- Earth connection for chassis ground
- Onboard regulator for stable supply
- Dual output LED indication
- Supply input & output via screw terminal connector
- Dual unregulated output +/- 22 VDC via berg connector
- Four mounting holes of 3.2 mm each
- PCB Dimensions 117 mm x 46 mm



SR	QTY	REFERENCE	DESCRIPTION
1	1	BR1	W04/W06/W08 BRIDGE RECTIFIER
2	1	CN1	3 PIN SCREW TERMINAL CONNECTOR
3	1	CN2	3 PIN BERG CONNECTOR
4	1	CN3	4 PIN BERG CONNECTOR
5	1	CN4	3 PIN SCREW TERMINAL CONNECTOR
6	2	C1,C4	0.1uF
7	2	C2,C5	2200uF/25V
8	2	C3,C6	47uF/25V
9	1	D1	RED LED 3MM
10	1	D2	GREEN LED 3 MM
11	2	R1,R2	1.2K
12	1	R3	0E
13	1	TR1	TRANSFORMER
14	1	U1	7815
15	1	U2	7915



SILK SCREEN TOP



MOTTOB

