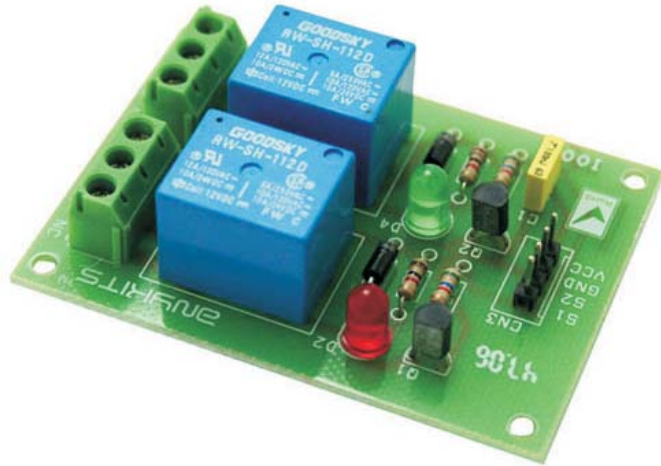


DUAL RELAY DRIVER BOARD

Author Rajkumar Sharma

BUILD SMARTER
e-circuits



anyKITS™

electronics **DIY kits**

sales@anykits.com

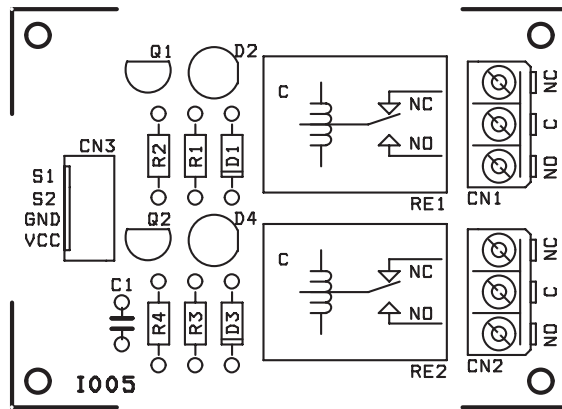


www.anykits.com

DUAL RELAY DRIVER BOARD

Dual Channel Relay Board is a simple and convenient way to interface 2 relays for switching application in your project.

- Input - 12 VDC @ 84 mA
- Output - two SPDT relay
- Relay specification - 5 A @ 230 VAC
- Trigger level - 2 ~ 5 VDC
- Berg pins for connecting power and trigger voltage
- LED on each channel indicates relay status



SR.	QTY.	REF.	DESCRIPTION
1	2	CN1,CN2	3 PIN PBT CONNECTOR
2	1	CN3	3 PIN BERG CONNECTOR
3	1	C1	0.1uF
4	2	D1,D3	1N4007
5	1	D2	RED LED
6	1	D4	GREEN LED
7	2	Q1,Q2	BC547
8	2	RE1,RE2	12V RELAY
9	2	R1,R3	1K
10	2	R2,R4	5.6K

