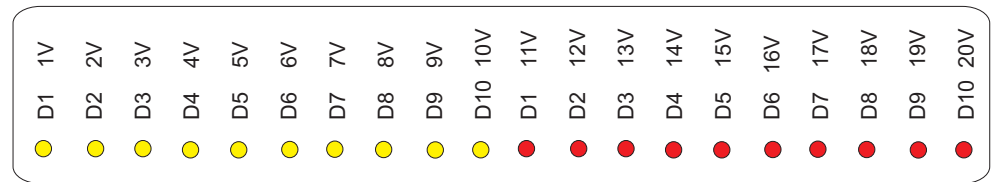
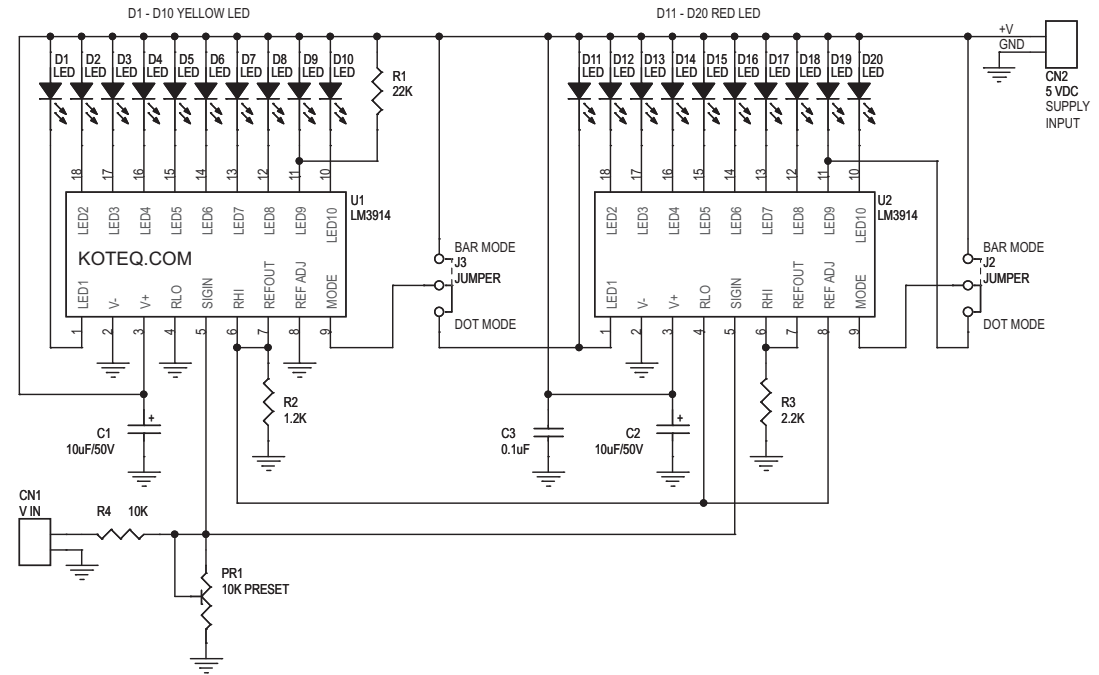
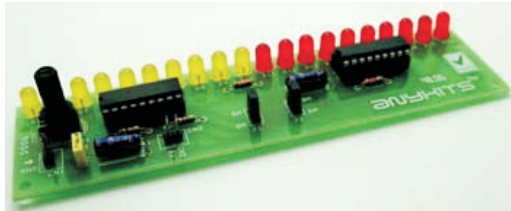


0 - 20V LED VOLTMETER

0 - 20V LED Voltmeter kit displays the voltage of the source using 20 LED's. This project is based on the famous LM3914 IC from National Semiconductor.

- Power Supply Input : 5 VDC Max @ 30 mA in DOT mode and 300 mA in BAR mode
- Output : 20 LED's
- Range selectable with onboard preset
- 2 Types of display Bar and Dot selectable by a jumper
- Berg connector for connecting power & voltage in
- Four mounting holes of 3.2 mm each
- PCB dimensions 40 mm x 145 mm



SR.	QTY.	REF.	DESCRIPTION
1	1	CN1	2 PIN RELIMATE/BERG CONNECTOR
2	1	CN2	2 PIN RELIMATE/BERG CONNECTOR
3	2	C1,C2	10uF/50V OR 63V
4	1	C3	0.1uF
5	10	D1 TO D10	YELLOW LED
6	10	D11 TO D20	RED LED
7	2	J2,J3	3 PIN JUMPER WITH CLOSER
8	1	PR1	10K PRESET
9	1	R1	22K
10	1	R2	1.2K
11	1	R3	2.2K
12	1	R4	10K
13	2	U1,U2	LM3914
14	2	SOCKET	18 PIN DIP IC SOCKET

