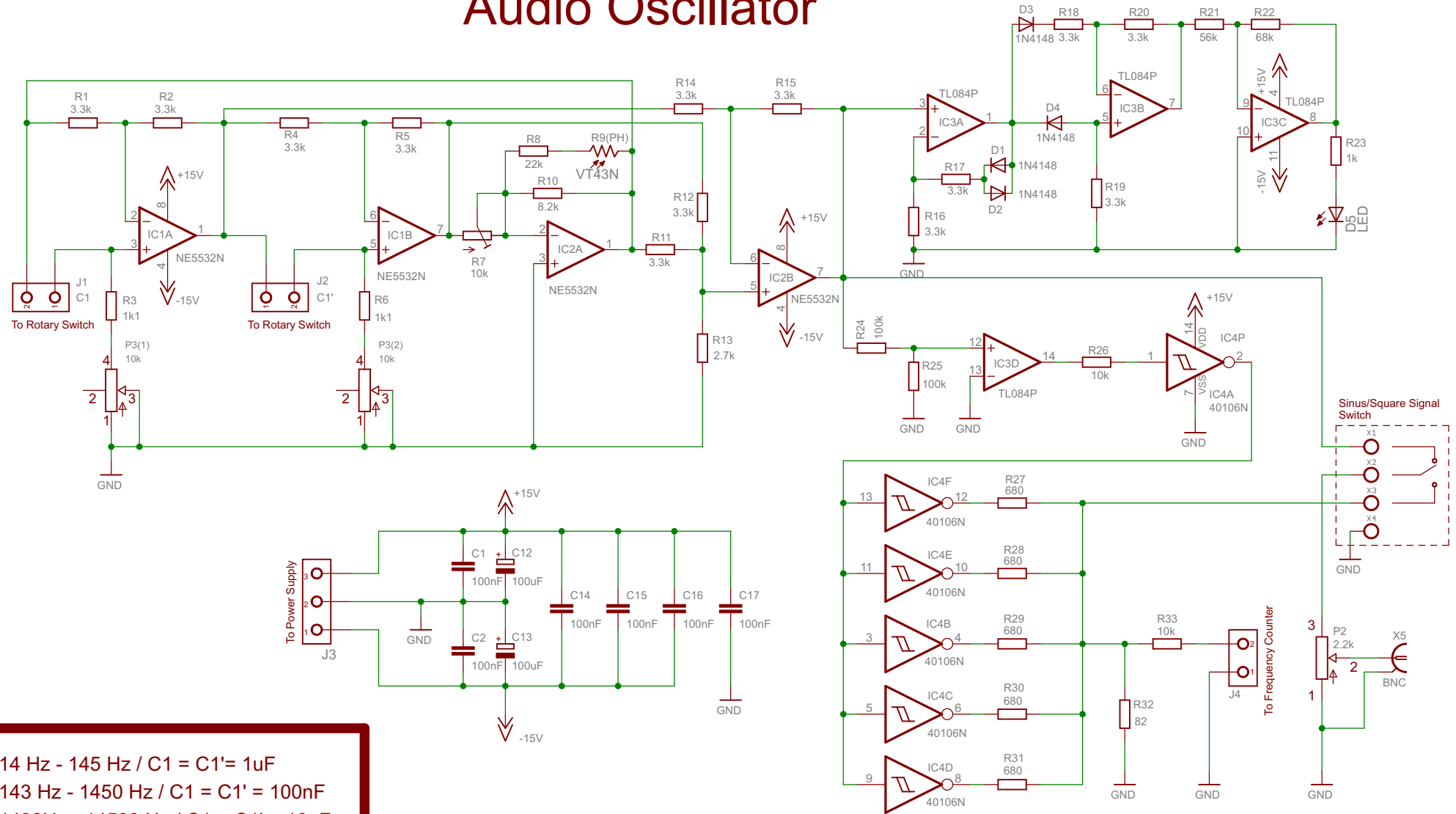


Audio Oscillator



14 Hz - 145 Hz / $C1 = C1' = 1\mu F$
 143 Hz - 1450 Hz / $C1 = C1' = 100nF$
 1430Hz - 14500 Hz / $C1 = C1' = 10nF$
 14300 Hz - 145000 Hz / $C1 = C1' = 1nF$