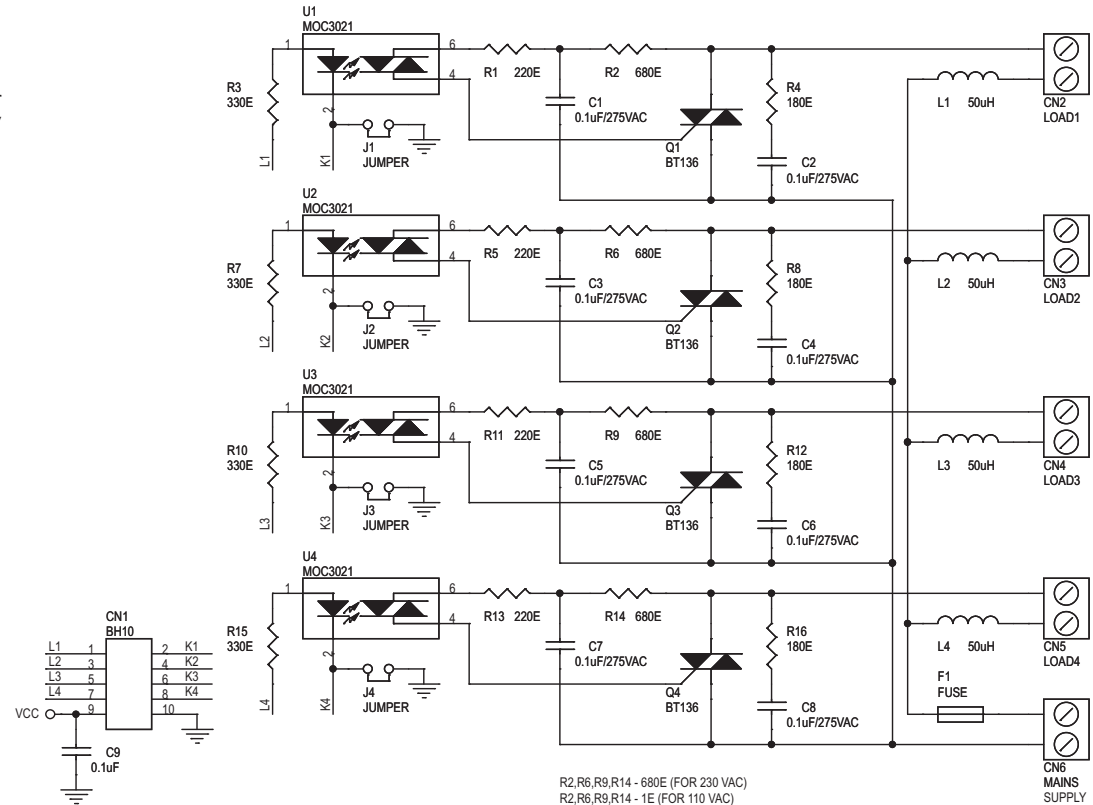
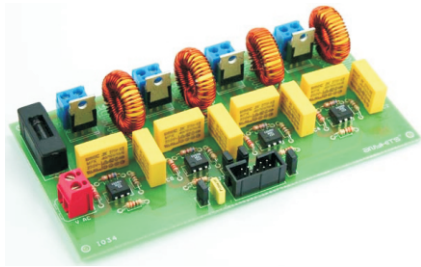


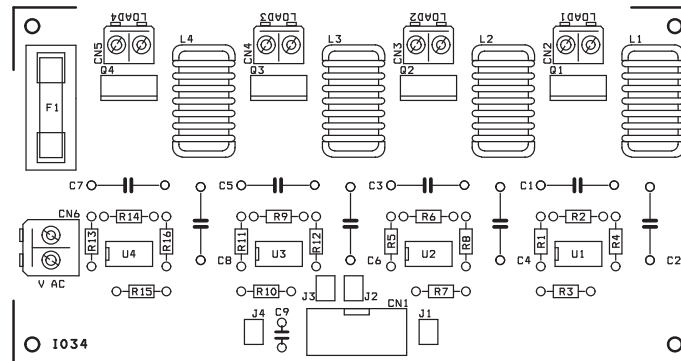
## OPTO-ISOLATED 4-CHANNEL TRIAC BOARD (R)

Opto-Isolated 4-Channel Triac Board (R) is used for fast switching applications. Ideal for switching mains circuits, lights, appliances and small load. Each circuit is effectively isolated with opto-isolators on each channel, TTL inputs control each channel.

- Trigger input 2-12 VDC
- Mains supply input 230 VAC or 110 VAC
- Output 1 A @ 230 VAC (**RMS ON STATE CURRENT 4AMPS EACH CHANNEL**)
- Snubber circuit for inductive load
- Jumper cathode to common ground
- Box Header connector for connection of control signal
- Screw terminal connector for Load
- Four mounting holes of 3.2 mm each
- PCB dimensions 139 mm x 73 mm



SR.	QTY.	REF.	DESCRIPTION
1	1	CN1	10 PIN BOX HEADER CONNECTOR
2	4	CN2,CN3,CN4,CN5	2 PIN SCREW TERMINAL CONNECTOR
3	1	CN6	2 PIN SCREW TERMINAL CONNECTOR
4	8	C1,C2,C3,C4,C5,C6,C7,C8	0.1μF/275VAC
5	1	C9	0.1μF
6	1	F1	5A FUSE WITH HOLDER
7	4	J1,J2,J3,J4	2 PIN JUMPER WITH CLOSER
8	4	L1,L2,L3,L4	50uH
9	4	Q1,Q2,Q3,Q4	BT136
10	4	R1,R5,R11,R13	220E
11	4	R2,R6,R9,R14	680E/1E
12	4	R3,R7,R10,R15	330E
13	4	R4,R8,R12,R16	180E
14	4	U1,U2,U3,U4	MOC3021



- CN1 Connector : Control Signal Input
- CN2 Connector : Load1
- CN3 Connector : Load2
- CN4 Connector : Load3
- CN5 Connector : Load4
- CN6 Connector : Mains Supply Input