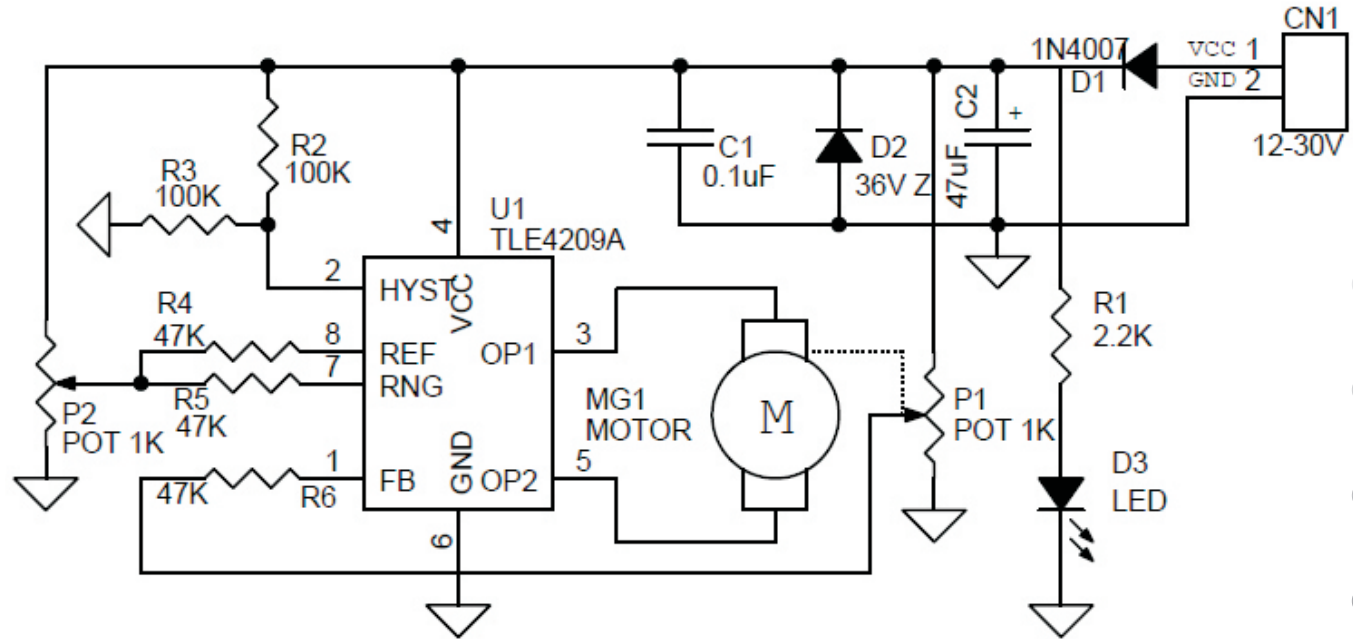
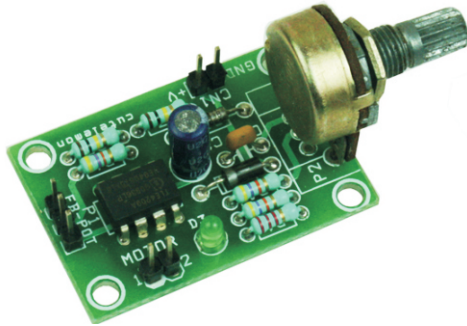


## CLOSED LOOP ANALOG DC SERVO MOTOR DRIVER

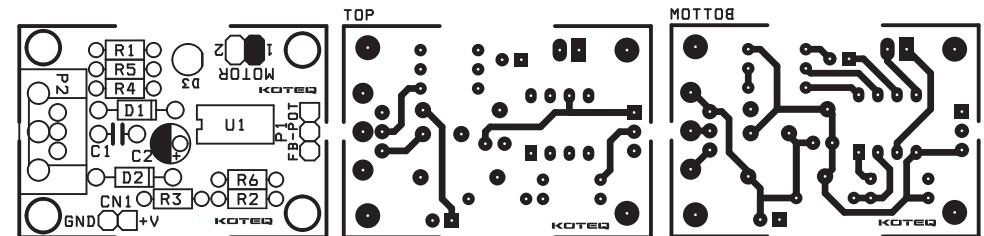
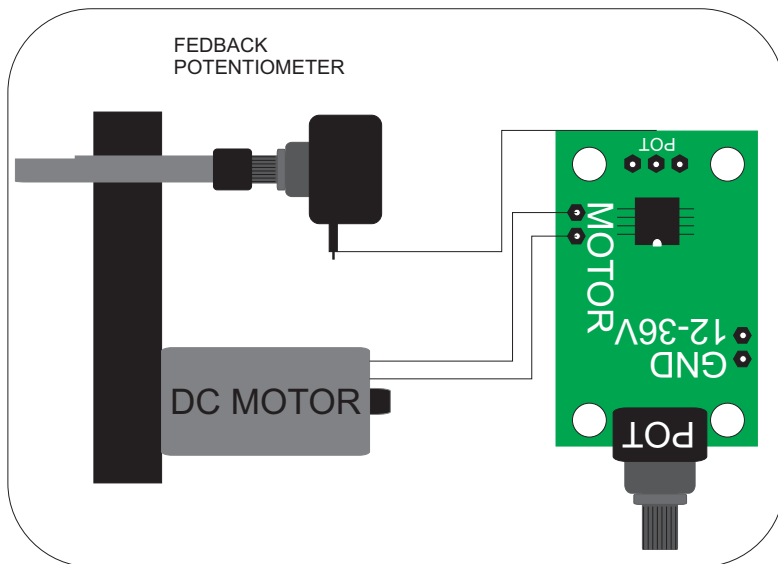
Versatile project has been designed to use in automotive application and industrial servo control application. This project provides all active necessary functions for closed loop servo system using Brushed DC Motor and potentiometer mounted on output shaft of DC Motor Gear . This project is ideally suited for almost any servo positioning application.

**POWER SUPPLY 12-30V DC**  
**MOTOR LOAD 800mA MAX.**



### Applications

- Car Mirror Pan Tilt
- Head Light Lamp control
- Cheap Camera Focus control
- Antenna Direction



SR	QNTY.	REFF	DESCRIPTION
1	1	CN1	2 PIN HEADER CONNECTOR
2	1	C1	0.1uF
3	1	C2	47uF
4	1	D1	1N4007
5	1	D2	36V ZENER DIODE
6	1	D3	3MM RED OR GREEN LED
7	1	MG1	2 PIN HEADER CONNECTOR
8	2	P1,P2	1K POTENTIOMETER
9	1	R1	2.2K
10	2	R2,R3	100K
11	3	R4,R5,R6	47K
12	1	U1	TLE4209A IC
13	1	8 DIP	8 PIN IC SOCKET
14	1	P1	3 PIN HEADER WIRE

