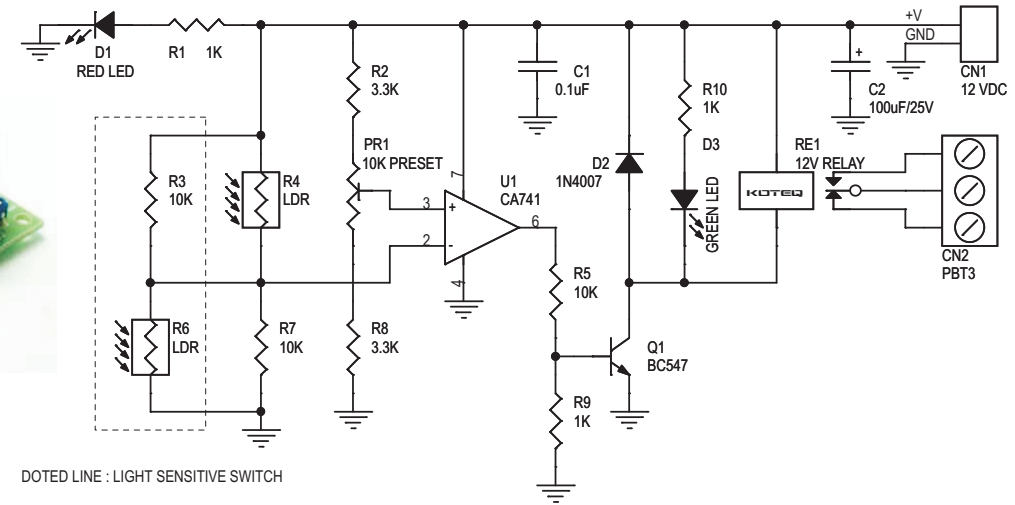


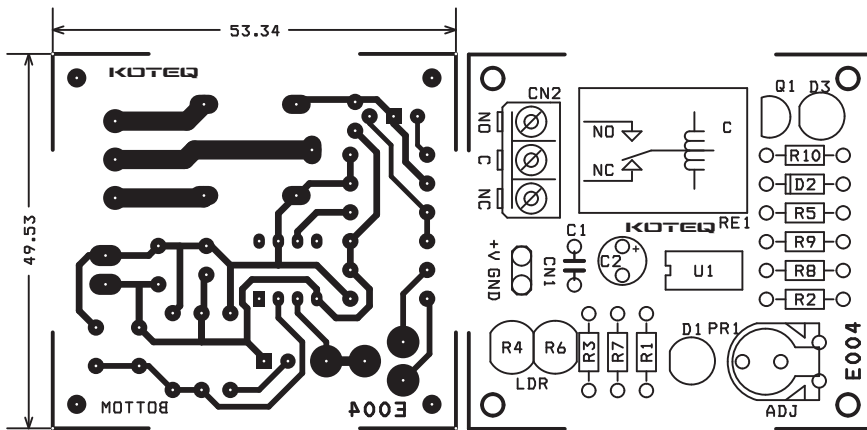
## LIGHT / DARK SENSITIVE SWITCH

Light / Dark Sensitive Switch project is a simple project which operates a relay when the light falling on the LDR goes below or goes above a set point.

- Input - 12 V @ 50 mA
- Relay output - SPDT relay
- 2-in-1 kit, either as light sensitive kit or dark sensitive switch
- Onboard preset to set the level
- Power-On LED indicator
- Relay On LED indicator
- Power Battery Terminal (PBT) for easy relay output connection
- Four mounting holes of 3.2 mm each
- PCB dimensions 50 mm x 54 mm



DOTED LINE : LIGHT SENSITIVE SWITCH



- R6 + R3 - Light Sensitive Switch
- R4 + R7 - Dark Sensitive Switch
- CN1 - Supply Input 12 VDC, 200 mA
- CN2 - Relay Output
- D1 - Indicates Power
- D3 - Relay Active Indicates
- PR1 - Sensitivity Adjust

SR.	QTY.	REF.	DESCRIPTION
1	1	CN1	2 PCB PINS
2	1	CN2	3 PIN PBT CONNECTOR
3	1	C1	0.1uF
4	1	C2	100uF/25V
5	1	D1	RED LED
6	1	D2	1N4007
7	1	D3	GREEN LED
8	1	PR1	10K PRESET
9	1	Q1	BC547
10	1	RE1	12V RELAY
11	3	R1,R9,R10	1K
12	2	R2,R8	3.3K
13	2	R5,R7 OR R3	10K
14	1	R4 OR R6	LDR
15	1	U1	CA741
16	1	SOCKET	8 PIN DIP IC SOCKET