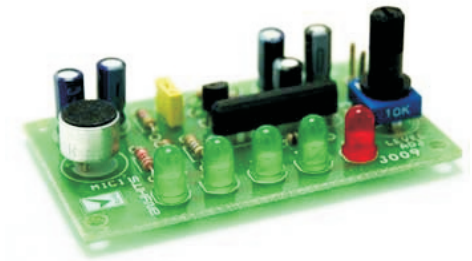


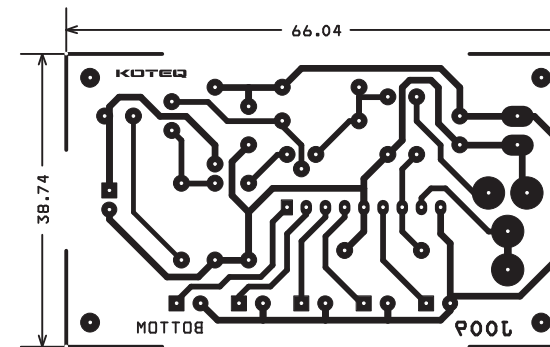
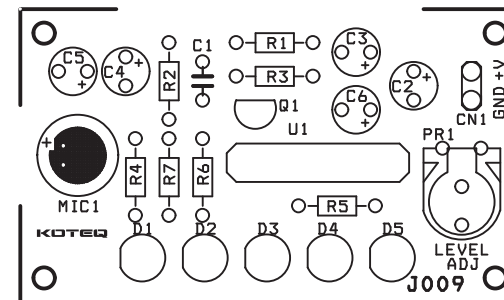
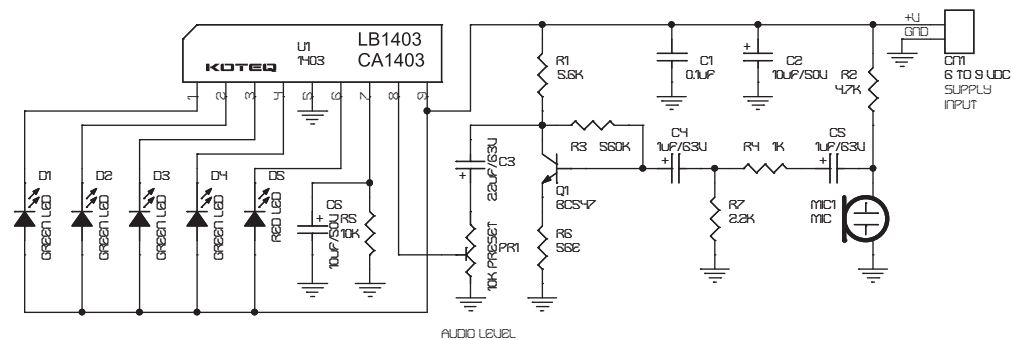
SOUND TO LIGHT EFFECT

Audio Dancing LED project is a fun filled project which generates a LED dancing sequence depending on the audio level it senses. This project is based on one of the VU Meter IC's available.

- Power supply input 6 to 9 VDC
- Output 5 LED's
- Onboard preset to adjust audio level to the IC
- Onboard microphone capsule with Preamp
- Terminal pins for connecting power supply input
- Four mounting holes of 3.2 mm each
- PCB dimensions 39 mm x 67 mm



SR.	QTY.	REF.	DESCRIPTION
1	1	CN1	2 PCB PINS
2	1	C1	0.1uF
3	2	C2,C6	10uF/50V OR 63V
4	1	C3	2.2uF/63V
5	2	C4,C5	1uF/63V
6	4	D1,D2,D3,D4	GREEN LED
7	1	D5	RED LED
8	1	MIC1	CONDENSOR MICROPHONE
9	1	PR1	10K PRESET
10	1	Q1	BC547
11	1	R1	5.6K
12	1	R2	4.7K
13	1	R3	560K
14	1	R4	1K
15	1	R5	10K
16	1	R6	56E
17	1	R7	2.2K
18	1	U1	1403



03038