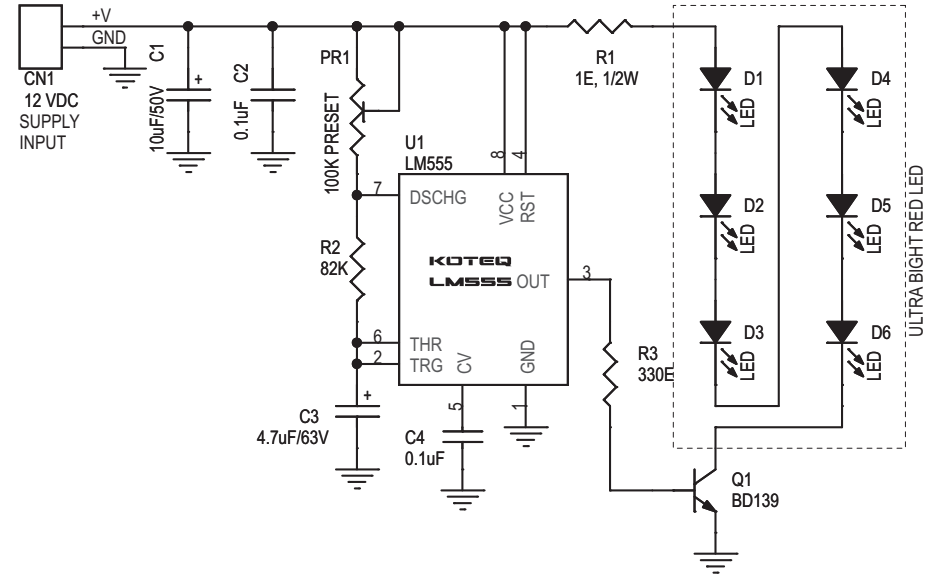


WARNING FLASH LIGHT

LED Flasher is a simple project producing a flashing effect of six LED's. This project can be used in all areas where you want to draw attention. Hi-glow LED's providing enough flashing light to attract your

- Supply input 12 V @ 35 mA (6V to 15V Possible)
- Onboard preset to adjust flash rate
- Terminal pins for connecting supply input
- Four mounting holes of 3.2 mm each
- PCB dimensions 53 mm x 35 mm
- Cn1 : Supply in 12V DC (6-15V Input Possible)
- Pr1 : Preset to set the Flash frequency



SR.	QTY.	REF.	DESCRIPTION
1	1	CN1	2 PCB PINS
2	1	C1	10µF/50V OR 63V
3	2	C2,C4	0.1µF
4	1	C3	4.7µF/63V
5	6	D1,D2,D3,D4,D5,D6	RED BRIGHT LED
6	1	PR1	100K PRESET
7	1	Q1	BD139
8	1	R1	1E, 1/2W
9	1	R2	82K
10	1	R3	330E
11	1	U1	LM555
12	1	SOCKET	8 PIN DIP IC SOCKET

