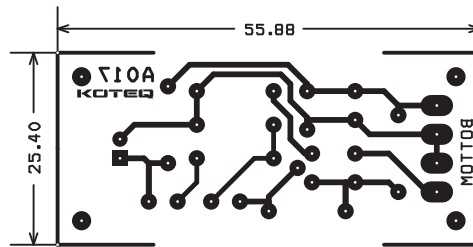
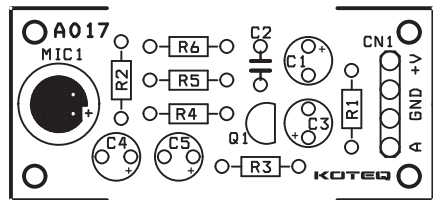
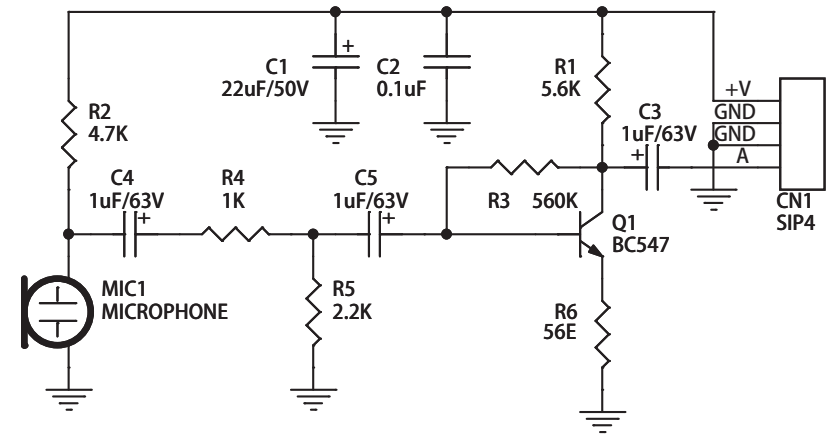
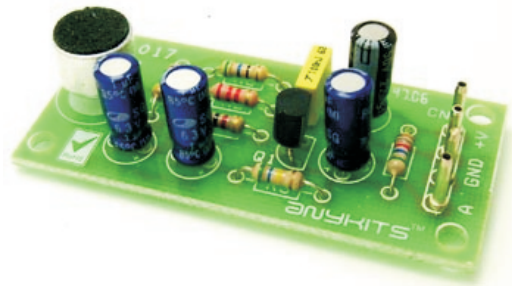


TINY MIC PREAMPLIFIER

The Tiny Mic Preamplifier based is based on a single transistor amplifier design. It amplifies the output of the electret condenser microphone. Good choice for Karaoke.

- Power supply : 5 ~ 9 VDC @ 2 mA
- PCB dimensions 26 mm x 56 mm



SR.	QTY.	REF.	DESCRIPTION
1	1	CN1	4 PCB PINS
2	1	C1	22uF/50V
3	1	C2	0.1uF
4	3	C3,C4,C5	1uF/63V
5	1	MIC1	ELECTRET CONDENSER MICROPHONE
6	1	Q1	BC547
7	1	R1	5.6K
8	1	R2	4.7K
9	1	R3	560K
10	1	R4	1K
11	1	R5	2.2K
12	1	R6	56E

