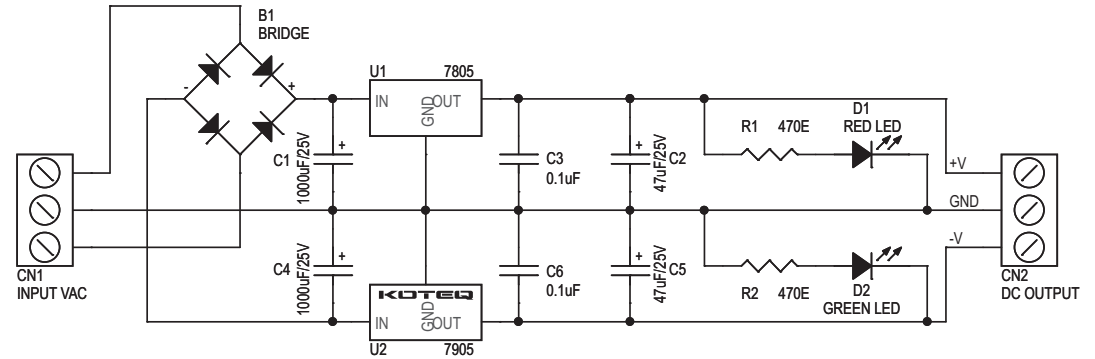
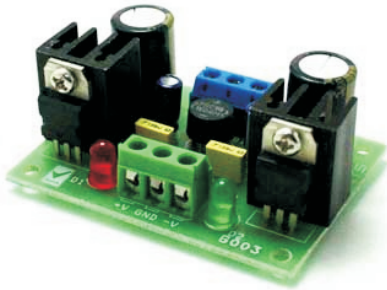


+/-5V/1A SYMMETRICAL REGULATED POWER SUPPLY

This Project provides Positive and Negative (Dual Output) 5 V @ 1 A Regulated Power Supply.

- Input 7-0-7 VAC to 12-0-12 VAC or +/- 9 to 18 VDC
- Output : Dual output ± 5 V @ 1 A regulated low ripple DC voltage
- Heatsink for regulator ICs
- Onboard bridge rectifier to convert AC to DC
- LED indication for both the outputs
- Thermal overload/short circuit protection (provided by IC feature)
- Screw terminal connector for easy input and output connection
- Filter capacitors for low ripple DC output
- Four mounting holes of 3.2 mm each
- PCB dimensions 46 mm x 60 mm



CN1 Connector : Input Supply 7-0-7 VAC to 12-0-12 VAC
 CN2 Connector : Dual Output ± 5 V
 D1 & D2 : Output LED Indication

SR.	QTY.	REF.	DESCRIPTION
1	1	B1	W04/W06/W08 BRIDGE RECTIFIER
2	1	CN1	3 PIN SCREW TERMINAL CONNECTOR
3	1	CN2	3 PIN SCREW TERMINAL CONNECTOR
4	2	C1,C4	1000uF/25V
5	2	C2,C5	47uF/25V
6	2	C3,C6	0.1uF
7	1	D1	RED LED
8	1	D2	GREEN LED
9	2	R1,R2	470E
10	1	U1	7805
11	1	U2	7905
12	2	HEATSINK	HS04019
13	2	SCREW	SC02905

