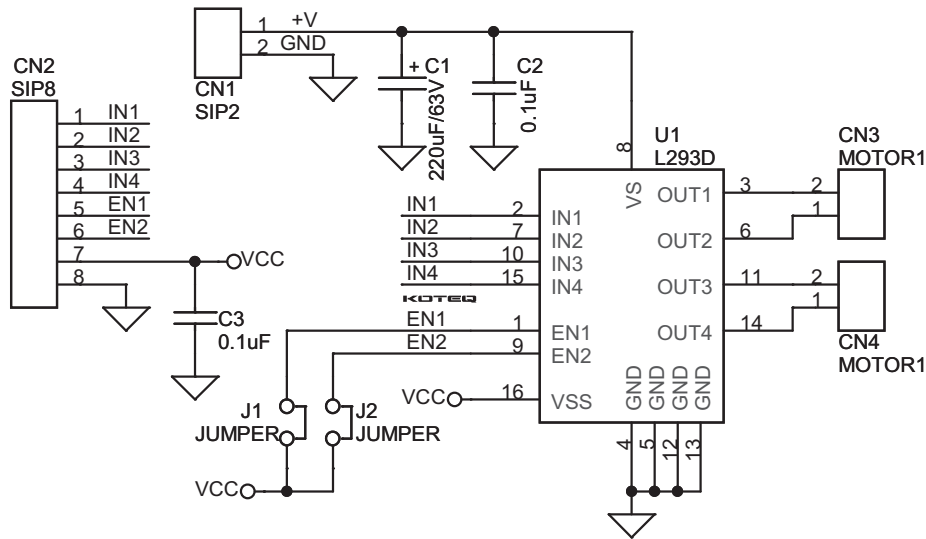
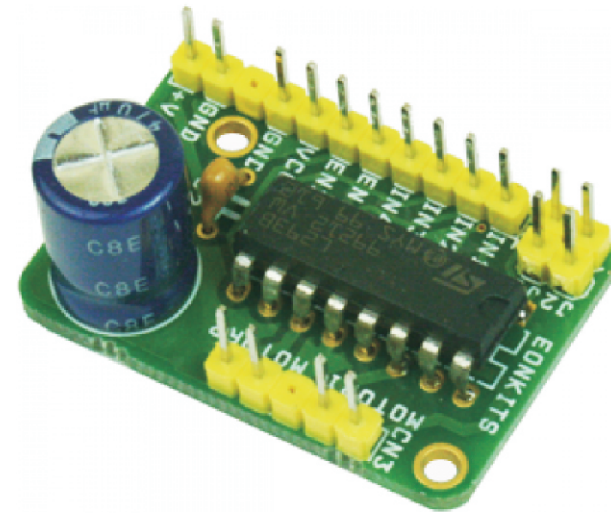


L293D DC MOTOR DRIVER

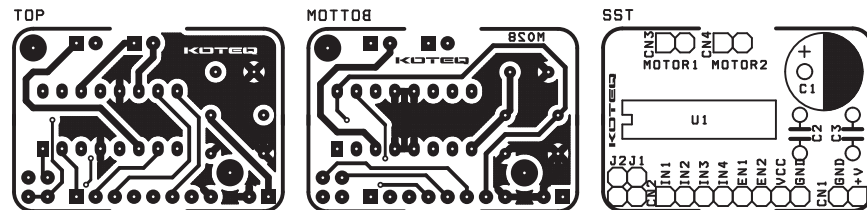
L293D Adapter Board can be use as dual DC motor driver or bipolar stepper motor driver. Useful in robotics application, bidirectional DC motor controller and stepper motor driver. Separate logic supply to reduce dissipation. L293D includes the output clamping diodes withing the IC for protections.

- Motor/Logic supply 5 to 36 V
- Logic controls input 7 VDC max
- Inhibit facility/enable
- High Noise immunity
- Over temperature protection
- Capable of delivering output current up to 600 mA per channel
- The control/interface lines are accessible with Berg connector
- Header connector for motor and supply connection
- PCB dimensions 36 mm x 24 mm

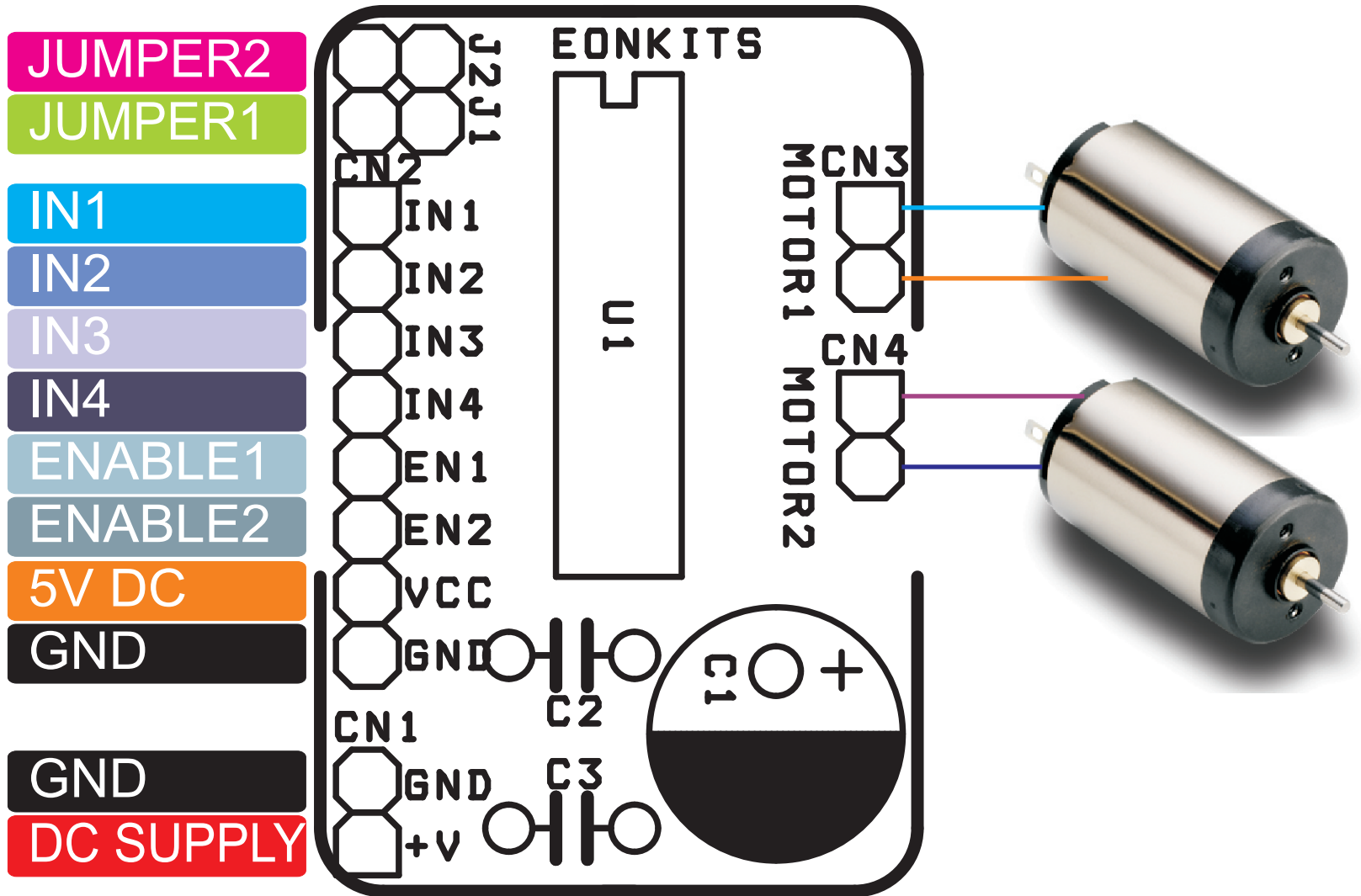


SR.	QTY.	REF.	DESCRIPTION
1	3	CN1,CN3,CN4	2 PIN BERG CONNECTOR
2	1	CN2	8 PIN BERG CONNECTOR
3	1	C1	220uF/63V OR 50V
4	2	C2,C3	0.1uF
5	2	J1,J2	2 PIN JUMPER WITH CLOSER
6	1	U1	L293D

CN1 Connector : Motor supply input
 CN2 Connector : Control input
 CN3,CN4 Connector : DC motor / Stepper motor
 J1, J2 Jumper : Enable input



L293D DC MOTOR DRIVER



J1- ENABLE 1, J2- ENABLE 2

