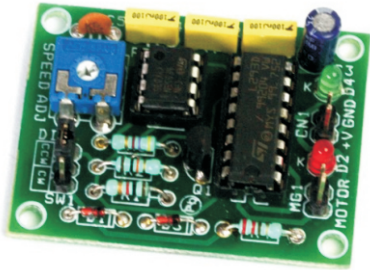


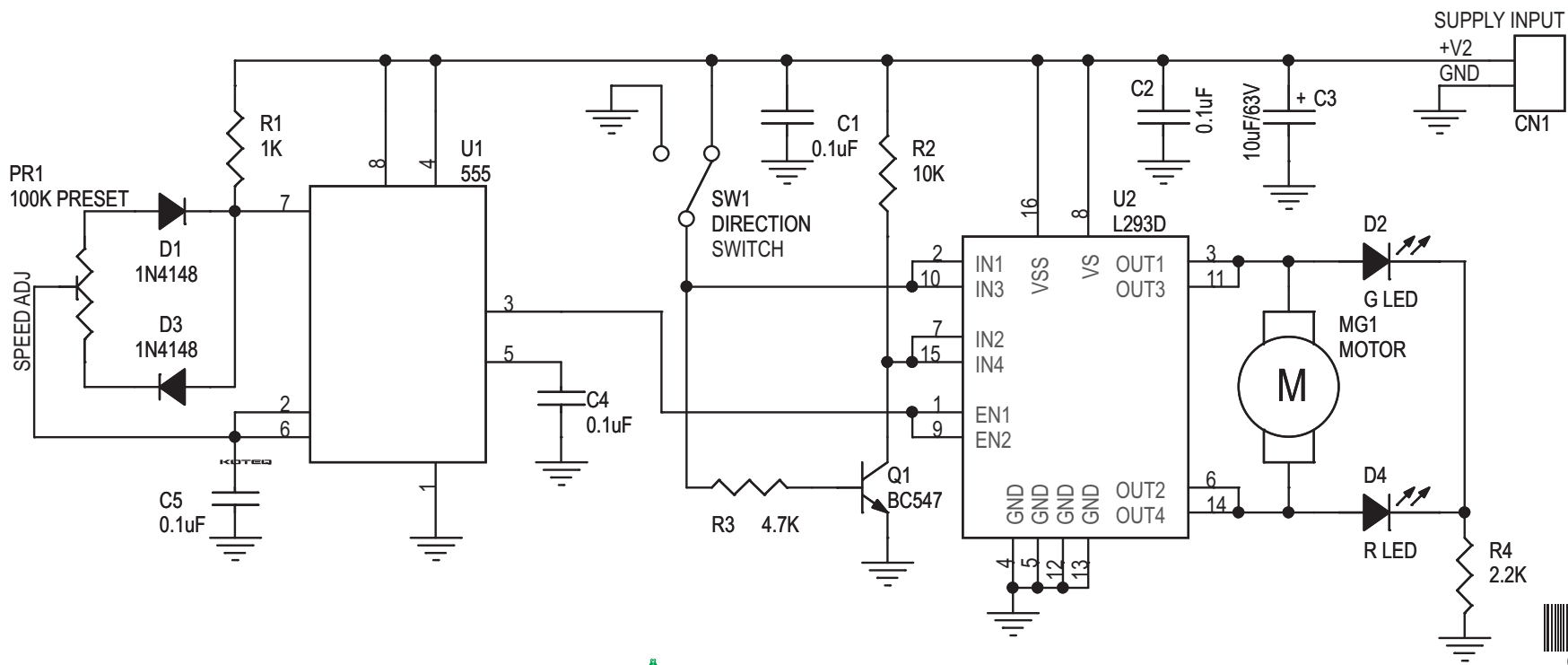
DC Motor Speed and Direction Controller for Tiny Motors



DC Motor Speed and direction controller project based on L293D H-Bridge and 555 Timer IC. 555 Generate PWM and L293D works as output driver. The 293D provides bidirectional drive current up to 600mA a voltage from 5V to 12V. L293D includes the output clamping diodes for protections.

Specifications

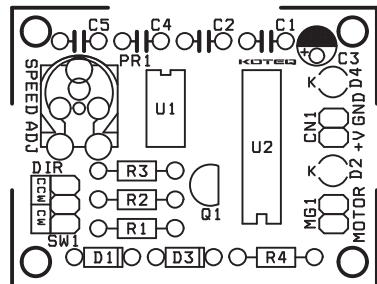
- Supply 5 to 12 V
- Inhibit facility/enable
- PWM Frequency 5KHz Maximum
- High Noise immunity
- Over temperature protection
- Capable of delivering output current up to 600 mA per channel
- The control/interface lines are accessible with Berg connector
- Header connector for motor and supply connection



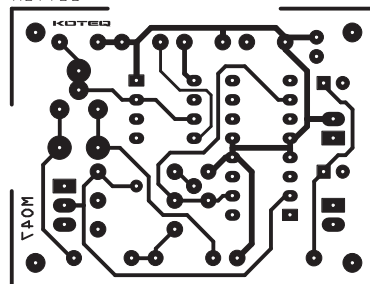
DC Motor Speed and Direction Controller for Tiny Motors

SR.	QTY.	REF.	DESCRIPTION
1	1	CN1	2 PIN BERG CONNECTOR
2	4	C1,C2,C4,C5	0.1uF
3	1	C3	10uF/63V
4	2	D1,D3	1N4148
5	1	D2	OMIT
6	1	D4	OMIT
7	1	MG1	2 PIN BERG CONNECTOR
8	1	PR1	100K PRESET
9	1	Q1	BC547
10	1	R1	1K
11	1	R2	10K
12	1	R3	4.7K
13	1	R4	OMIT
14	1	SW1	3 PIN JUMPER WITH CLOSER
15	1	U1	555
16	1	U2	L293D
17	1	SOCKET	8 PIN DIP IC SOCKET
18	1	SOCKET	16 PIN DIP IC SOCKET

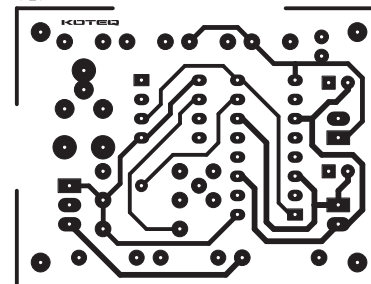
SILK SCREEN TOP



MOTTO8



TOP



03038