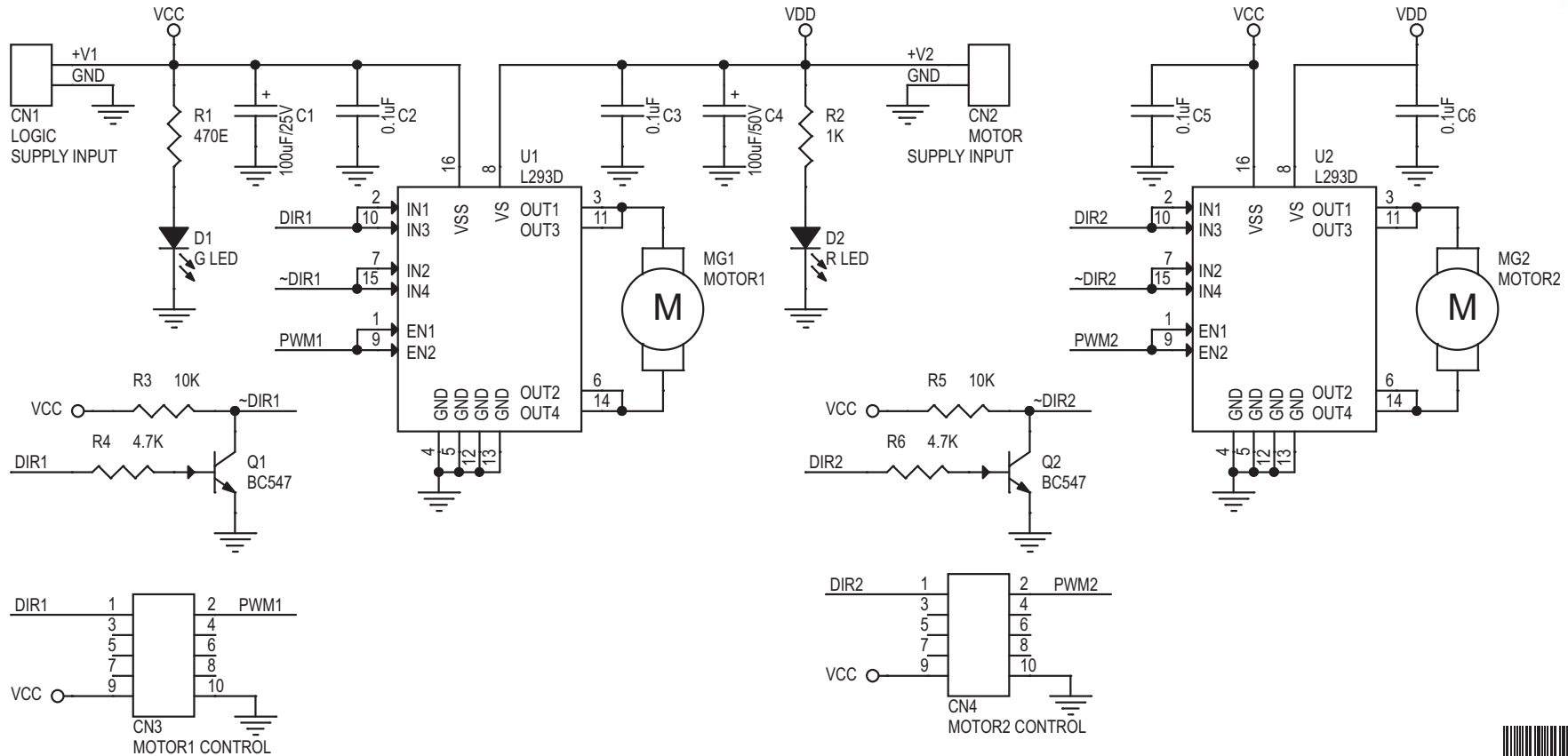
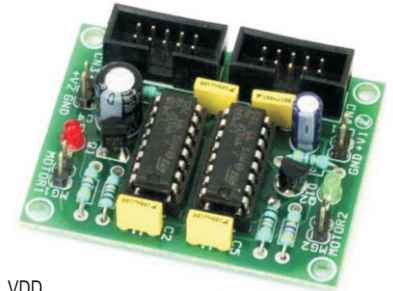


## Dual DC Motor Driver For Robots

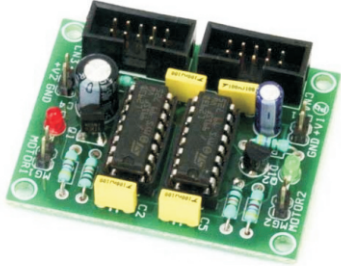
Dual DC Motor driver using two L293D IC. The L293D device is quadruple high-current half-H driver. The 293D is designed to provide bidirectional drive current up to 600mA a voltage from 5V to 36V. It provides 600mA +600mA on each channel suitable for mini hobby robots. The board been designed mainly for small size robot, however this can be used for other application where two motor control required. L293D includes the output clamping diodes for protections. Each channel required two input signals PWM and DIR for full control. Separate logic supply to reduce dissipation.

### Specifications

- Motor/Logic supply 5 to 36 V
- Logic controls input 7 VDC max
- Inhibit facility/enable
- PWM Frequency 5KHz Maximum
- Capable of delivering output current up to 600 mA per channel



03038



**CN2 : MOTOR SUPPLY**  
**CN1 : LOGIC SUPPLY**  
**CN4 : MOTOR 2 SIGNAL IN**  
**CN3 : MOTOR 1 SIGNAL IN**  
**MG2 : MOTOR 2**  
**MG1 : MOTOR 1**

BOM			
1	1	CN1	2 PIN HEADER CONNECOTR
2	1	CN2	2 PIN HEADER CONNECOTR
3	1	CN3	10 PIN BOX HEADER
4	1	CN4	10 PIN BOX HEADER
5	1	C1	100uF/25V
6	4	C2,C3,C5,C6	0.1uF
7	1	C4	100uF/50V
8	1	D1	GREEN LED
9	1	D2	RED LED
10	1	MG1	2 PIN HEADER CONNECOTR
11	1	MG2	2 PIN HEADER CONNECOTR
12	2	Q1,Q2	BC547
13	1	R1	470E
14	1	R2	1K
15	2	R3,R5	10K
16	2	R4,R6	4.7K
17	2	U1,U2	L293D
18	2	SOCKET	16 PIN DIP IC SOCKET

