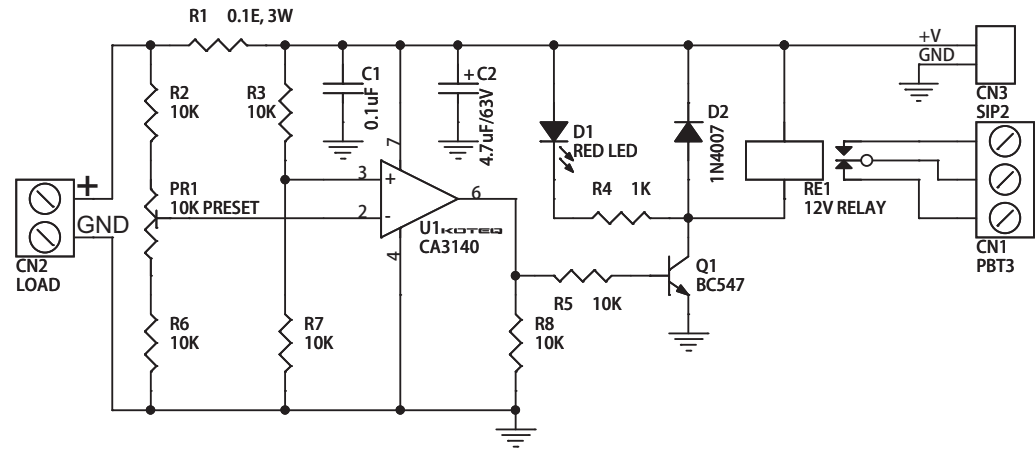


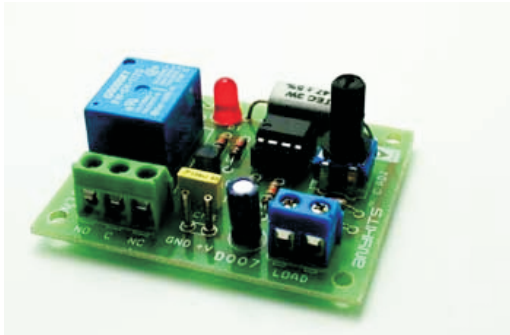
# CURRENT SENSE SWITCH

Current Sensing Switch is designed to operate a Relay Contact when there is DC current through the sensor window exceeds the set point, Set point adjustable from 1A to 3Amp using on board potentiometer. This circuit can offer over current protection to your project.

- Input : 12 VDC @ 75 mA
- Range : 1 to 3 A selectable with onboard preset
- Output : SPDT Relay
- Power Battery Terminal (PBT) and Terminal Pins for easy connection
- Four mounting holes of 3.2 mm each
- PCB dimensions 52 mm x 47 mm



CN3 Connector : Supply Input 12 VDC  
 CN2 Connector : Load  
 CN1 Connector : Relay Output  
 D1 LED : Relay Status LED Indication  
 PR1 Preset : Range Adjust



SR.	QTY.	REF.	DESCRIPTION
1	1	CN1	3 PIN SCREW TERMINAL CONNECTOR
2	1	CN2	2 PIN SCREW TERMINAL CONNECTOR
3	1	CN3	2 PCB PINS
4	1	C1	0.1uF
5	1	C2	4.7uF/63V
6	1	D1	RED LED
7	1	D2	1N4007
8	1	PR1	10K PRESET
9	1	Q1	BC547
10	1	RE1	12V RELAY
11	1	R1	0.1E, 3W
12	6	R2,R3,R5,R6,R7,R8	10K
13	1	R4	1K
14	1	U1	CA3140
15	1	SOCKET	8 PIN DIP IC SOCKET

