

4 CHANNEL RC SERVO CONTROLLER BOARD

4 Servo Controller Project is a solution for controlling upto 4 RC Servos via onboard preset or optional external potentiometer.



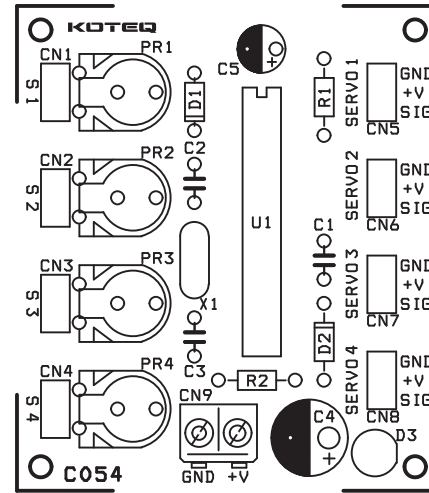
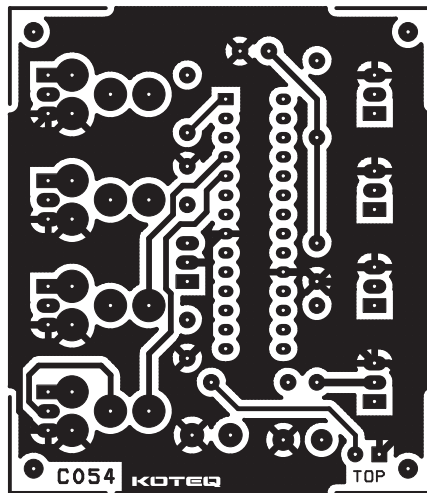
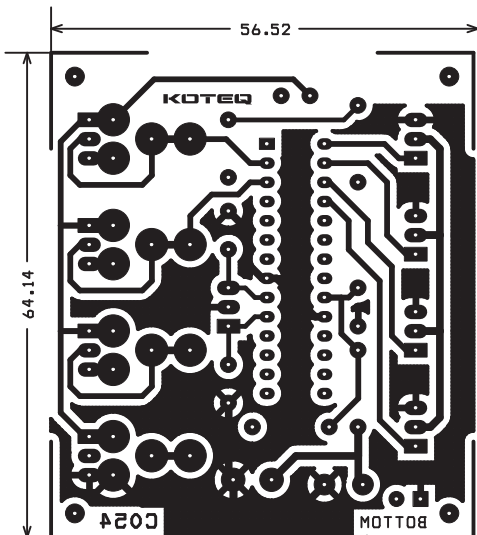
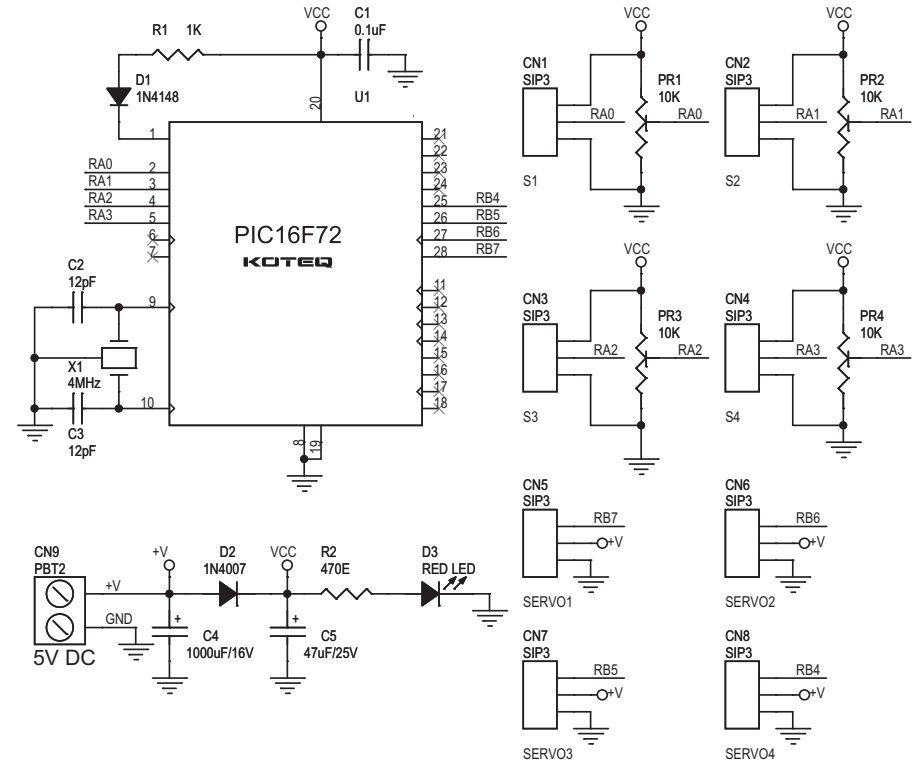
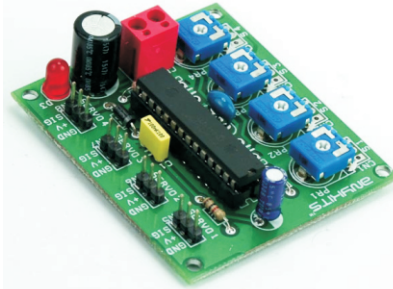
- Microcontroller based design for greater flexibility and ease of control
- Individual servo controlled via onboard preset or external potentiometer
- Power supply input 5 VDC
- Screw terminal connector for easy connection of the input power supply
- Protection diode for reverse supply
- Berg connector for connection of Servos
- Power-On LED indicator
- Four mounting holes of 3.2 mm each
- PCB dimensions 56.52mm x 64.14 mm

Connector Description :

- CN1 Connector : External Potentiometer Connection for Servo 1
- CN2 Connector : External Potentiometer Connection for Servo 2
- CN3 Connector : External Potentiometer Connection for Servo 3
- CN4 Connector : External Potentiometer Connection for Servo 4
- CN5 Connector : Connection for Servo 1
- CN6 Connector : Connection for Servo 2
- CN7 Connector : Connection for Servo 3
- CN8 Connector : Connection for Servo 4
- CN9 Connector : Power Supply Input 5 VDC

D3 LED : Power-On LED indicator

Note : CN1,CN2,CN3,CN4 optional connector to connect potentiometer instead of Onboard Preset



| BOM | | | |
|-----|------|-----------------|------------------------|
| SR. | QTY. | REF. | DESCRIPTION |
| 1 | 4 | CN1,CN2,CN3,CN4 | 3 PIN HEADER OPTIONAL |
| 2 | 4 | CN5,CN6,CN7,CN8 | 3 PIN HEADER CONNECTOR |
| 3 | 1 | CN9 | 2 PIN PBT |
| 4 | 1 | C1 | 0.1uF |
| 5 | 2 | C2,C3 | 12pF - OPTIONAL |
| 6 | 1 | C4 | 1000uF/16V |
| 7 | 1 | C5 | 47uF/25V |
| 8 | 1 | D1 | 1N4148 |
| 9 | 1 | D2 | 1N4007 |
| 10 | 1 | D3 | RED LED |
| 11 | 4 | PR1,PR2,PR3,PR4 | 10K PRESET |
| 12 | 1 | R1 | 1K |
| 13 | 1 | R2 | 470E |
| 14 | 1 | U1 | PIC16F72 |
| 15 | 1 | X1 | 4MHZ RESONATOR |
| 16 | 1 | SOCKET | 28-N PIN DIP IC SOCKET |